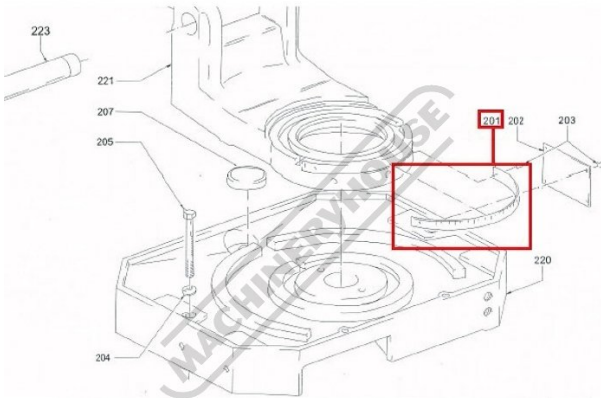


Product Brochure For 2CX0201

Angle Scale 50.1199 #201



Group 200 BASE PLATE			Quantity per machine	
Pos. nr.	Description	Part nr.	315	300
201	Anglescale	50.1199	1	1

