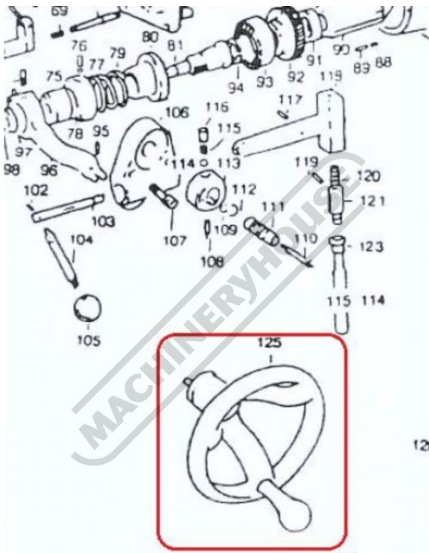


Product Brochure For 3MJ4125

HANDWHEEL - #125

6210

Suits: BM-52VE (M596D)



125 6210 Handwheel

