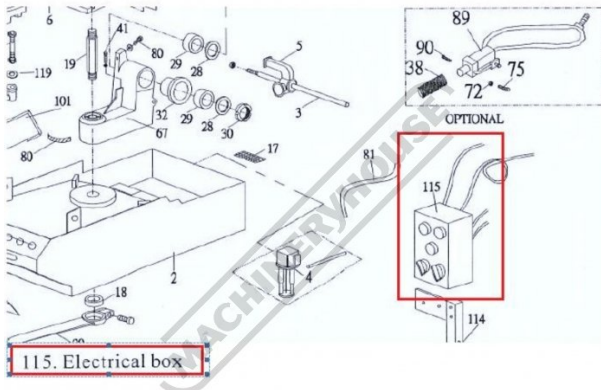


Product Brochure For 4BM0115

# ELECTRICAL BOX - #115

Suits: EB-320DS + other models

ORDER CODE: \_\_\_\_\_ ~  
 Size: \_\_\_\_\_ ~



Qty: 1  
 Parts Description: ELECTRICAL BOX  
 Drawing Number: #115  
 HAFCO Part Number: 4BM 0115

