

Product Brochure For 5DB0056

MOTOR TAIL CASING - #56

Suits: HF-750

Ex GST
 \$21.00

Inc GST
 \$23.10

ORDER CODE: _____



Features

- L 10cm x W 11cm x H 5cm
- Weight 1 kg

Specific Features

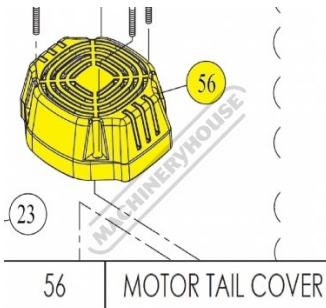


Image 2