

Product Brochure For A350

## Hydraulic Engine Crane - HC-1.25T

1.25 Tonne Lifting Capacity

**On Sale**

<b>Ex GST</b>	<b>Inc GST</b>
<b>\$420.00</b>	<b>\$462.00</b>
<b>\$380.00</b>	<b>\$418.00</b>



ORDER CODE:	A350
MODEL:	HC-1.25T
Type:	Engine Crane
Engine Crane Capacity (Tonne):	1.25
Engine Crane Operation (Type):	Hydraulic
Engine Stand Capacity (kg):	~
Trolley Jack Capacity (Tonne):	~
Axle Stand Capacity - Each (Tonne):	~
Mechanics Creeper Capacity (kg):	~
Nett Weight (kg):	92



### Description

Every mechanic or home auto restoration enthusiast knows all too well that using the correct tool it always makes the job in hand much easier when it is time to remove or replace an engine in your car.

This is why we ensure the Hafco HC-1.25T engine crane is no light weight & is up to the task. We ensure our design has been independently tested to comply with Australian Standard AS1418.8-2008 to have a working load lift capacity of 1250kg. The Australian Standard requires a safety factor of 200% so don't be fooled by lighter & cheaper ones in the market.

The long extendable jib has four positions with lifting capacity of 310kg, 625kg, 930kg or 1250kg to give you more reach & with the lifting height range from 0-2300mm so an engine can be lifted out of the engine bay with ease. Other features include a double pump cylinder, folding legs with 6 swivel castor wheels & rear T-bar handle enables excellent manoeuvrability around the workshop.

### Features

- Tested to comply with Australian Standard AS1418.8-2008
- Double action pump on hydraulic 8 tonne lifting ram
- Adjustable boom in four positions for lifting
- Outrigger legs easily folded up for transport or storage
- Six cast steel swivel caster wheels allow easy mobility
- T-bar handle with grips on rear of hoist allows greater manoeuvrability control
- Supplied with a load rated bow lifting shackle

**1 TONNE ENGINE CRANE - BUYER'S GUIDE**

***DON'T GET CAUGHT SHORT***  
***ALL CRANES ARE NOT EQUAL***

<b>CHEAPER MODELS</b> <b>1T ENGINE CRANE</b>	<b>HAFCO</b> <b>1.25T ENGINE CRANE</b>
<p><b>1T</b></p>  <ul style="list-style-type: none"> <li><input checked="" type="checkbox"/>  1 Tonne Max Capacity</li> <li><input checked="" type="checkbox"/>  Light Weight 72.5kg</li> <li><input checked="" type="checkbox"/>  Less Stability - Legs are 1430mm</li> <li><input checked="" type="checkbox"/>  Max Throat 960mm</li> <li><input checked="" type="checkbox"/>  Less Lifting Height 1870mm</li> <li><input checked="" type="checkbox"/>  Smaller Frame 50x70mm x 2.8mm</li> <li><input checked="" type="checkbox"/>  <b>x1</b> Slower - Single Action Pump</li> </ul>	<p><b>1.25T</b></p>  <p><b>A350</b></p>  <ul style="list-style-type: none"> <li><input checked="" type="checkbox"/>  1.25 Tonne Max Capacity</li> <li><input checked="" type="checkbox"/>  Heavy Duty 90kg</li> <li><input checked="" type="checkbox"/>  More Stability - Legs are 1830mm</li> <li><input checked="" type="checkbox"/>  Max Throat 1050mm</li> <li><input checked="" type="checkbox"/>  More Lifting Height - 2380mm</li> <li><input checked="" type="checkbox"/>  Bigger Frame 70x70mm x 3.8mm</li> <li><input checked="" type="checkbox"/>  <b>x2</b> Faster - Double Action Pump</li> </ul>
<p><input checked="" type="checkbox"/> ← <b>Bigger Lift, Reach, Frame &amp; Faster Pump</b> → <input checked="" type="checkbox"/></p> 	

**See Downloads for more information**

Product Brochure For A350

Specific Features



Features



Double Action Pump



Fold Up Legs for Easy Storage



D shackle



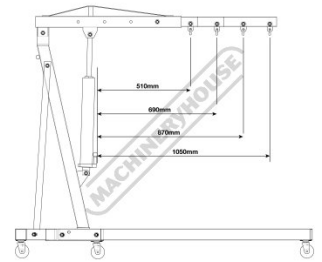
Low View



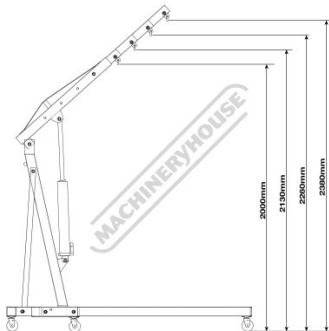
Quick Release Lock Pins to Legs



Slide Out Jib with 4 WLL Lifting Positions



Throat Depth



Max Lift Heights



Shown Lifting V8 Engine with Optional Engine Tilter

Product Brochure For A350

**Recommended Accessories**

H330  
Self Locking Swivel Hook



H331  
Self Locking Swivel Hook



A3425  
Engine Tilter - Heavy Duty



A341  
Engine Stand - 450kg Capacity



A340  
Engine Stand - 907kg Capacity



J032  
Hydraulic Ram - Long Stroke with Yoke



J033  
Pneumatic / Hydraulic Ram - Long Stroke with Yoke



H300  
Round Sling



Product Brochure For A350

H305  
 Round Sling



H307  
 Round Sling



H310  
 Round Sling



H312  
 Round Sling



H316  
 Flat Sling



H318  
 Flat Sling



H320  
 Flat Sling



H322  
 Flat Sling



H324  
 Flat Sling

