

Product Brochure For A422

## 2 Drawer - Industrial Under Bench Tooling Cabinet - HC-2

565mm Wide x 280mm High  
 40kg per Drawer

**On Sale**

Ex GST

Inc GST

~~\$200.00~~

~~\$220.00~~

**\$180.00**

**\$198.00**



|                                   |                 |
|-----------------------------------|-----------------|
| ORDER CODE:                       | A422            |
| MODEL:                            | HC-2            |
| Number of Drawers (No.):          | 2               |
| Drawer Load Capacity (kg):        | 40              |
| Maximum Total Load Capacity (kg): | ~               |
| Includes Backing Panel:           | ~               |
| Dimensions (W x D x H) (mm):      | 565 x 580 x 280 |
| Nett Weight (kg):                 | 30              |



### Description

The HC-2 cabinet is designed mount under the IWB-40 work bench by using the mounting bracket supplied or it can be just screwed to your existing work bench

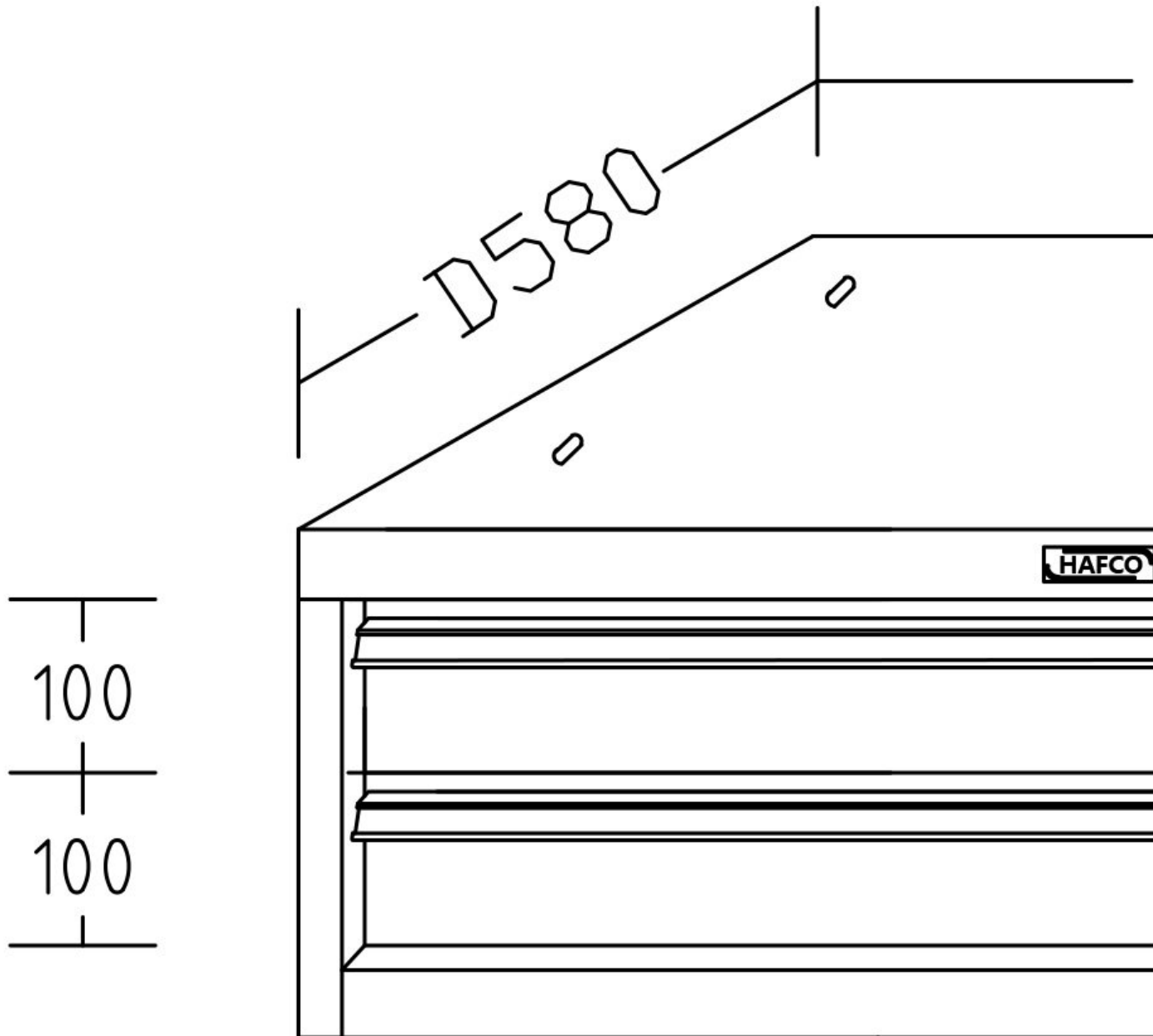
### Features

- Ideal for garages or workshops
- Heavy duty full extension sliding ball bearing drawers runners with 97% drawer access
- Key lockable drawers with a load capacity of 40kg each

### Includes

- Drawer 1 - 100mm high, load capacity of 40kg and includes steel dividers
- Drawer 2 - 100mm high, load capacity of 40kg and includes steel dividers

Product Brochure For A422



Product Brochure For A422

**Specific Features**



Front View



Drawers With Steel Dividers



Ball Bearing Slides



Connecting Rails to Suit A420 Work Bench



Close Up Shown Mounted Under Work Bench



Shown Mounted Under Workbench

**Recommended Accessories**

T786  
Steel Divider

T786B  
Slotted Rail

A401  
Mobile Work Bench

A415  
Industrial Work Bench



Product Brochure For A422

---

A420  
Industrial Work Bench

A421  
Industrial Work Bench

