

Product Brochure For A4225

2 Drawer - Industrial Under Bench Tooling Cabinet - HC-2W

815mm Wide x 280mm High
 40kg per Drawer

On Sale

Ex GST

Inc GST

~~\$290.00~~

~~\$319.00~~

\$250.00

\$275.00



ORDER CODE:	A4225
MODEL:	HC-2W
Number of Drawers (No.):	2
Drawer Load Capacity (kg):	40
Maximum Total Load Capacity (kg):	~
Includes Backing Panel:	~
Dimensions (W x D x H) (mm):	815 x 580 x 280
Nett Weight (kg):	30



Description

The HC-2W cabinet is our wide drawer version of our popular 2 drawer unit designed to be mounted under any of our 1200 – 2200mm work benches by using the mounting brackets supplied. The wide drawer is perfect for storing longer tools or equipment & includes adjustable dividers to easily organise the space.

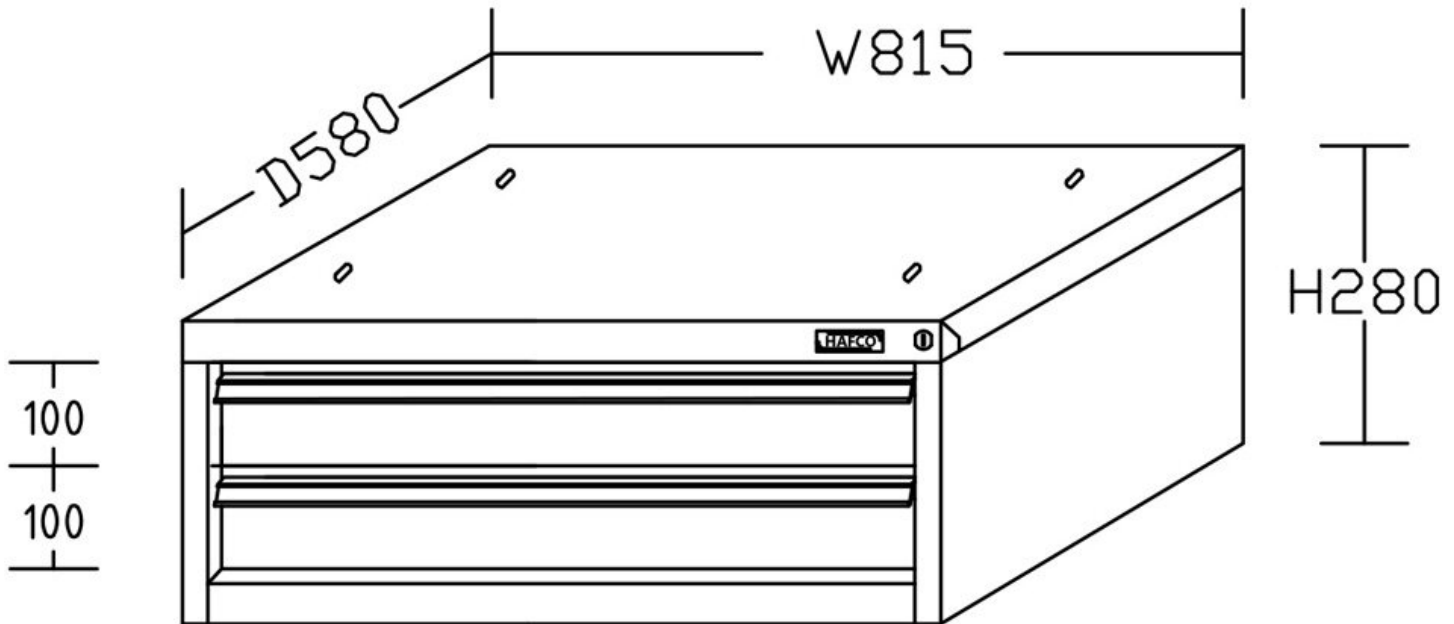
Features

- Ideal for garages or workshops
- Heavy-duty drawers utilise ball-bearing slides, providing 97% drawer access
- Key lockable drawers with a load capacity of 40kg each

Includes

- Drawer 1 - 100mm high, load capacity of 40kg and includes steel dividers
- Drawer 2 - 100mm high, load capacity of 40kg and includes steel dividers

Product Brochure For A4225



Specific Features



Front View



Drawers Open



Key Lockable



Includes Dividers 8 of Each Size

Product Brochure For A4225



Brackets Kit



Brackets Setup Ready Mount to Work Bench



Shown Mounted Under HC 2W Workbench

Recommended Accessories

T786
Steel Divider

T786B
Slotted Rail

A401
Mobile Work Bench

A415
Industrial Work Bench



A420
Industrial Work Bench

A421
Industrial Work Bench

