

Product Brochure For B007

## Metal Cutting Band Saw - Swivel Vice - BS-7

Mitre Cuts Up To 45° & Includes Hydraulic Downfeed Control  
 300 x 180mm (W x H) Rectangle Capacity

**On Sale**

Ex GST	Inc GST
<del>\$1,250.00</del>	<del>\$1,375.00</del>
<b>\$1,136.36</b>	<b>\$1,250.00</b>



ORDER CODE:	B007
MODEL:	BS-7
Operation Type:	Fixed Head
Round @ 90° (mm):	180
Round @ 45° (mm):	110
Round @ 60° (mm):	~
Square @ 90° (mm):	180
Square @ 45° (mm):	110
Square @ 60° (mm):	~
Rectangle (W x H) @ 90° (mm):	300 x 180
Rectangle (W x H) @ 45° (mm):	110 x 180
Rectangle (W x H) @ 60° (mm):	~
Coolant System:	Yes
Table Working Height (mm):	550
Cutting Head Beam Type:	Manual
Cutting Head Beam Return:	Manual Return
Cutting Head Down Feed Control:	Adjustable Hydraulic
Vice Clamping Fixture:	Manual
Bundle Cutting Fixture:	~
Blade Steps / Speeds (M/Min):	34, 41, 59, 98
Blade Size (L x W x T) (mm):	2362 x 19 x 0.8
Motor Power (kW / hp):	0.75 / 1
Voltage / Amperage (V / amp):	240 / 10
Nett Weight (kg):	166



### Description

Looking for a 7" metal bandsaw that outshines the competition in quality and reliability? Our Metalmaster BS-7 is the perfect solution. While our competitors may offer similar-looking products at a lower price, our bandsaw's superior craftsmanship and our company's 90-year legacy in the industry set us apart. We have been delivering unmatched quality and durability for decades, ensuring that you invest in machinery that is built to last.

### Features

- 300 x 180mm (W x H) rectangular capacity @ 90 Degrees
- Adjustable hydraulic cutting feed rate for multiple applications
- Mitre cuts to 45° using calibrated vice
- Built-in coolant system with flow control valve
- Automatic electric cut-out switch stops machine when cut is complete
- Roller bearing blade guides provides accurate cutting
- 4 cutting speeds via step pulleys (34-41-59-98mpm)
- Adjustable length stop for repetition cutting
- Portable - on wheels for ease of use
- Vertical cutting table included
- Heavy-duty 0.75kW / 1hp 240V motor

### Includes

- 1 x blade
- Vertical cutting table

Product Brochure For B007

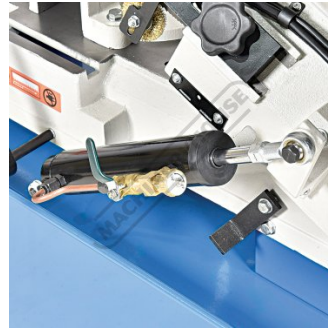
**Specific Features**



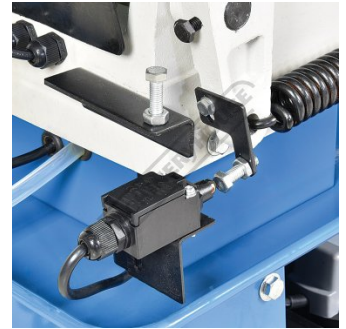
Blade Guide with Cleaning Brush



Adjustable Blade Roller Guides



Hydraulic Ram For Down Feed Control



Micro Cut Switch



Length Stop



Main Switch and Coolant Pump Switch



Vice Graduations



Swivel Vice With Handle Wheel



Vice At 90 Degrees



Vice at 45 Degree



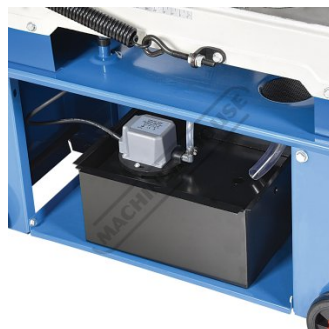
Blade Cover Open



Blade Tension Adjustment Handle



Coolant Nozzle



Coolant Tank



Heavy Duty 1HP 240V Motor



4 Speed Belt Drive System with Safety Micro Switch

Product Brochure For B007



Vertical Cutting Table



Vertical Cutting Table Fitted



Vertical Cutting Table Rear View



Vertical Cutting Table Front View



Vertical Cutting Table Parts



Rear View Fully Raised



Rear View



Left View



Left View Head Fully Down



Right View



Front View



Front View Arm Fully Down

Product Brochure For B007

**Recommended Accessories**

**B210**

Metal Band Saw Blade - 6TPI  
 Carbon, Blade - 2362 x 19 x  
 0.80mm



**B212**

Metal Band Saw Blade - 8TPI  
 Carbon, Blade - 2362 x 19 x  
 0.80mm



**B214**

Metal Band Saw Blade - 10TPI  
 Carbon, Blade - 2362 x 19 x  
 0.80mm



**B216**

Metal Band Saw Blade - 14TPI  
 Carbon, Blade - 2362 x 19 x  
 0.80mm



**B400**

Metal Band Saw Blade - 4-6TPI  
 Bi-Metal, Blade - 2362 x 19 x  
 0.80mm



**B404**

Metal Band Saw Blade -  
 6-10TPI Bi-Metal, Blade - 2362 x  
 19 x 0.80mm



**B408**

Metal Band Saw Blade -  
 10-14TPI Bi-Metal, Blade - 2362  
 x 19 x 0.80mm



**S091**

Soluble Metal Cutting Fluid - 20  
 Litre



Product Brochure For B007

S090A  
 Soluble Metal Cutting Fluid - 1  
 Litre



S090  
 Soluble Metal Cutting Fluid - 5  
 Litre



S076  
 Cutting Tool Lubricant Fluid -  
 500ml



S077  
 Drilling, Tapping & Cutting Tool  
 Lubricant Spray - 400g



S075  
 Cutting Tool Lubricant Paste -  
 200g



S074  
 Cutting Tool Lubricant Paste -  
 500g



L300  
 Magnetic Swarf Remover



M9991  
 Magnetic Floor Sweeper



L812  
 Roller Conveyor



L816  
 Roller Conveyor Stand



W343A  
 Roller Stand

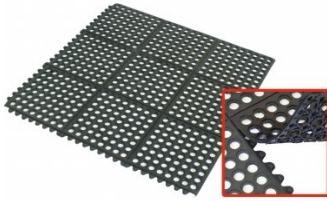


M800  
 Rubber Mat - Anti-Fatigue



Product Brochure For B007

**M805**  
 Rubber Mat - Anti-Fatigue



**O000**  
 SpillFix Universal Organic Absorbent



**O043**  
 Rust & Corrosion Preventive



**O042**  
 General Purpose Lubricant & Corrosion Inhibitor



**O040**  
 Rust & Corrosion Preventive



**O044**  
 Rust & Corrosion Preventive

