

Product Brochure For C1008

Straight Line Toggle Clamp - KL-36020

220kg Capacity

On Sale

Ex GST
\$24.00
\$20.00

Inc GST
\$26.40
\$22.00



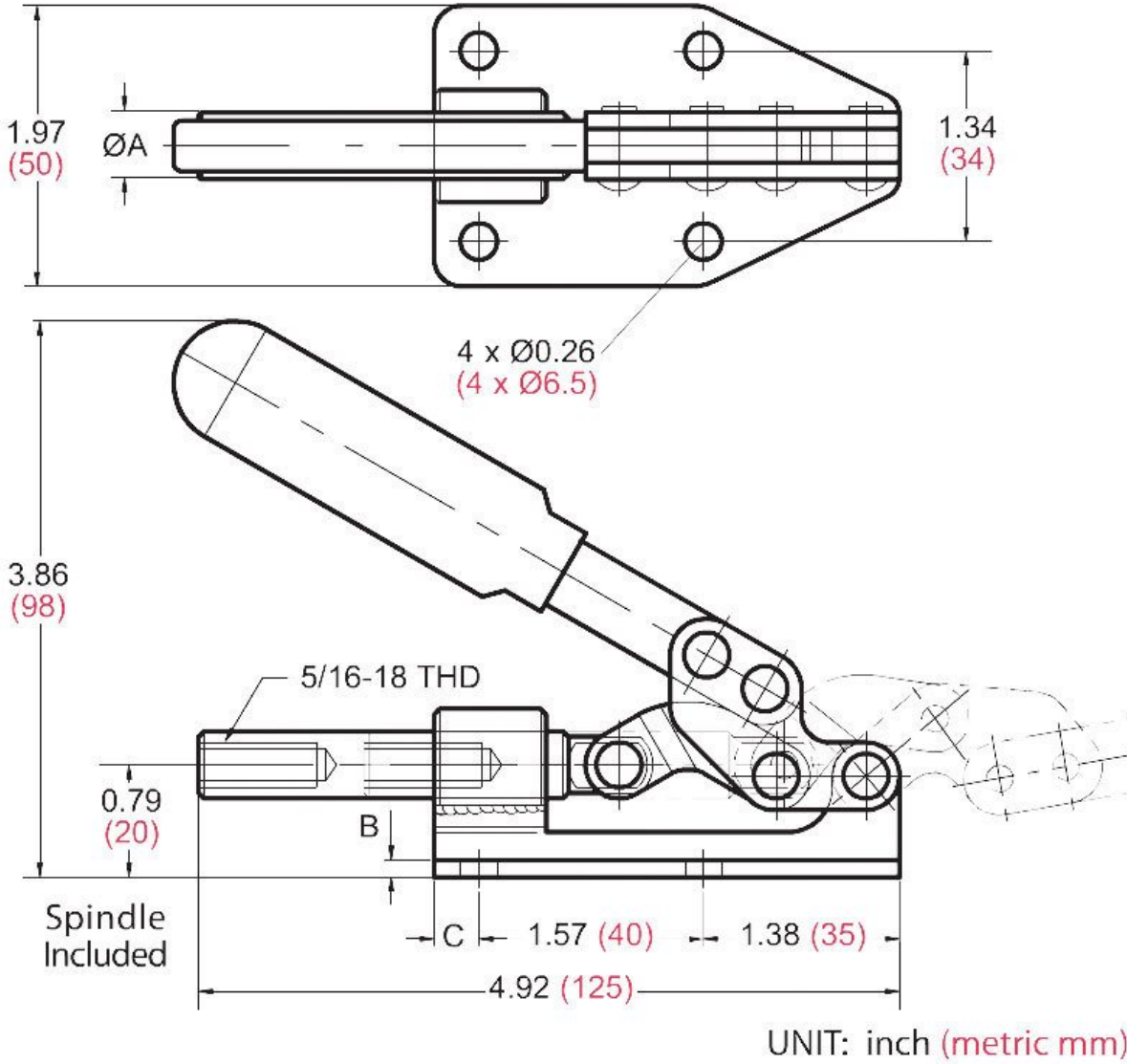
ORDER CODE:	C1008
MODEL:	KL-36020
Type:	Straight Line Toggle Clamp
Clamping Capacity:	
Locking Handle - Pivot Movement:	144.5°
Clamp Bar - Pivot Movement:	~
Plunger Travel (mm):	29.3
Throat Depth (mm):	~
Opening (mm):	~
Size:	~
Quantity Per Pack (No.):	1
Clamping Force (kg):	220kg
Over all Length (mm):	~
Nett Weight (kg):	0.36



Features

- KL-36020 - Straight Line Toggle Clamp
- Holding capacity: 220kg
- Handle moves: 144.5°
- Plunger travel: 29.3mm
- Weight: 360g

Product Brochure For C1008



Product Brochure For C1008

Specific Features



Open Position

Recommended Accessories

C1001
 Vertical Toggle Clamp



C100
 Vertical Toggle Clamp



C0999
 Vertical Toggle Clamp



C0998
 Vertical Toggle Clamp



C1003
 Horizontal Toggle Clamp



C1005
 Horizontal Toggle Clamp



C1006
 Horizontal Toggle Clamp



C1011
 Straight Line with Threaded Collar Toggle Clamp



Product Brochure For C1008

C1009

Straight Line Toggle Clamp

C1010

Straight Line Toggle Clamp

