

Product Brochure For C1009

Straight Line Toggle Clamp - MP-303-EM

450kg Capacity

On Sale

Ex GST

Inc GST

~~\$35.00~~

~~\$38.50~~

\$29.09

\$32.00



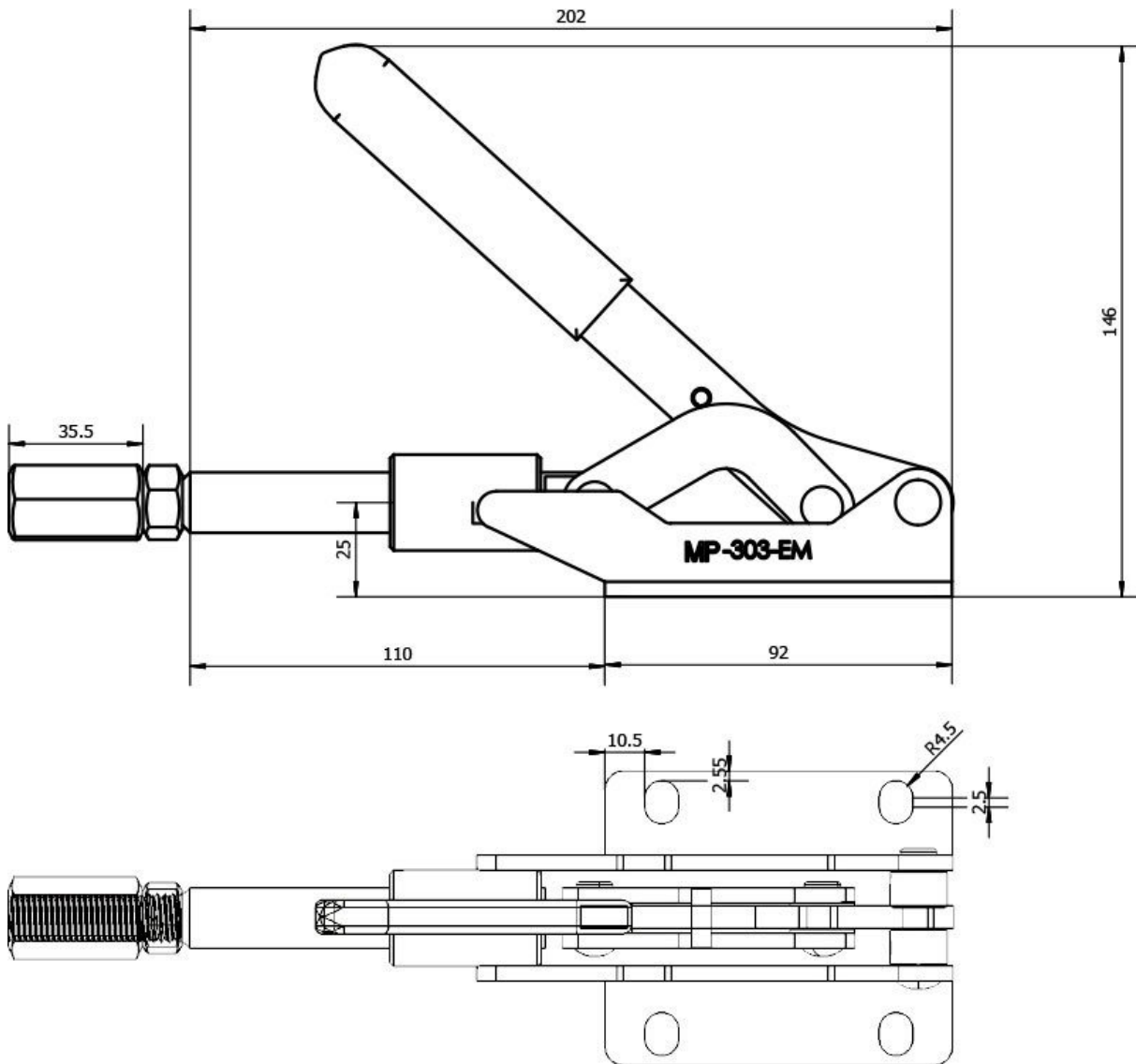
ORDER CODE:	C1009
MODEL:	MP-303-EM
Type:	Straight Line Toggle Clamp
Clamping Capacity:	
Locking Handle - Pivot Movement:	190°
Clamp Bar - Pivot Movement:	~
Plunger Travel (mm):	50
Throat Depth (mm):	~
Opening (mm):	~
Size:	~
Quantity Per Pack (No.):	1
Clamping Force (kg):	450kg
Over all Length (mm):	~
Nett Weight (kg):	1.0



Features

- MP-303-EM - Straight Line Toggle Clamp
- Holding capacity: 450kg
- Handle moves: 190°
- Plunger travel: 50mm
- Weight: 1.0kg

Product Brochure For C1009



Product Brochure For C1009

Specific Features



Open

Recommended Accessories

C1001
Vertical Toggle Clamp

C100
Vertical Toggle Clamp

C0999
Vertical Toggle Clamp

C0998
Vertical Toggle Clamp



C1003
Horizontal Toggle Clamp

C1005
Horizontal Toggle Clamp

C1006
Horizontal Toggle Clamp

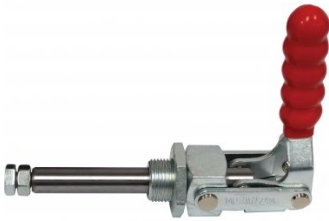
C1008
Straight Line Toggle Clamp



Product Brochure For C1009

C1011

Straight Line with Threaded
Collar Toggle Clamp



C1010

Straight Line Toggle Clamp

