

Product Brochure For C1010

Straight Line Toggle Clamp - MP-304-HM

680kg Capacity

On Sale

Ex GST	Inc GST
\$39.00	\$42.90
\$32.73	\$36.00



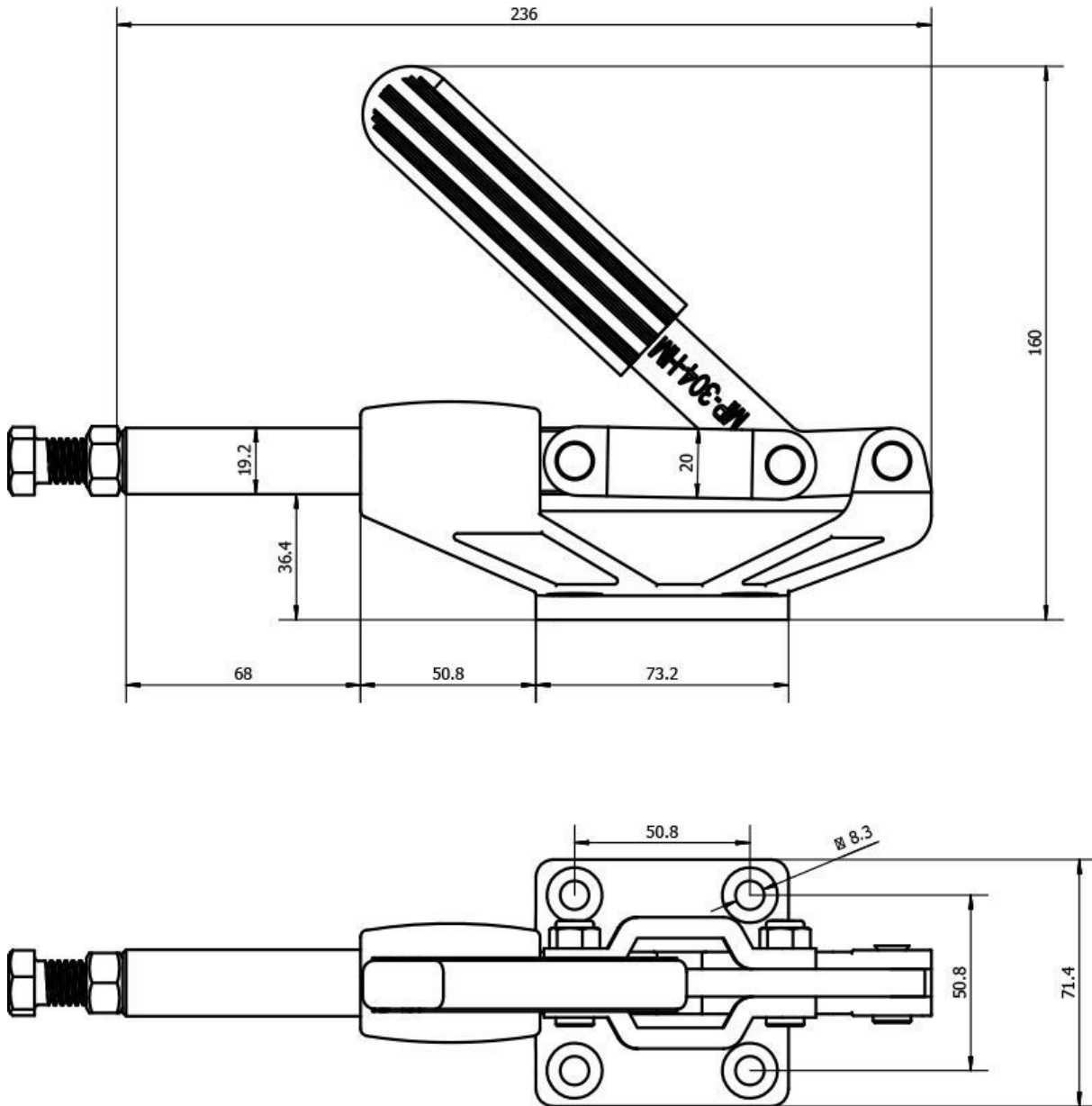
ORDER CODE:	C1010
MODEL:	MP-304-HM
Type:	Straight Line Toggle Clamp
Clamping Capacity:	
Locking Handle - Pivot Movement:	190°
Clamp Bar - Pivot Movement:	~
Plunger Travel (mm):	62
Throat Depth (mm):	~
Opening (mm):	~
Size:	~
Quantity Per Pack (No.):	1
Clamping Force (kg):	680kg
Over all Length (mm):	~
Nett Weight (kg):	1.5



Features

- MP-304-HM - Straight Line Toggle Clamp
- Holding capacity: 680kg
- Handle moves: 190°
- Plunger travel: 62mm
- Weight: 1.5kg

Product Brochure For C1010



Product Brochure For C1010

Specific Features



Open

Recommended Accessories

C1001
 Vertical Toggle Clamp

C100
 Vertical Toggle Clamp

C0999
 Vertical Toggle Clamp

C0998
 Vertical Toggle Clamp



C1003
 Horizontal Toggle Clamp

C1005
 Horizontal Toggle Clamp

C1006
 Horizontal Toggle Clamp

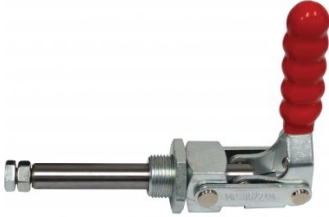
C1008
 Straight Line Toggle Clamp



Product Brochure For C1010

C1011

Straight Line with Threaded
Collar Toggle Clamp



C1009

Straight Line Toggle Clamp

