

Product Brochure For C169

## Load Skate - 20 Tonne Kit - GLS-20T-KIT

Kit Includes: 4 x 10T Load Skates, 2 x Turntables & Handles, 2 x Packing Plates, 2 x Link Bars, 1 x Storage Case & Draw Bar

**On Sale**

Ex GST

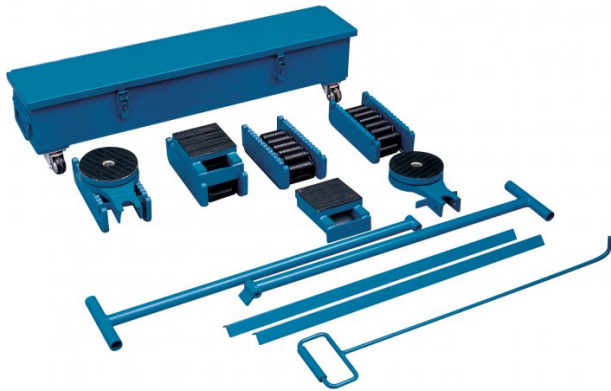
~~\$950.00~~

**\$900.00**

Inc GST

~~\$1,045.00~~

**\$990.00**



ORDER CODE:	C169
MODEL:	GLS-20T-KIT
Type:	Load Skate
Capacity (Tonne):	20
Unit Length (mm):	220
Unit Width (mm):	120
Unit Height (mm):	108
Unit Track Width (mm):	~
Unit Roller Diameter (mm):	Ø18
Number of Rollers per unit (No.):	~
Height Including Turntable (mm):	110
Turntable Top Diameter (mm):	~
Nett Weight (kg):	50



### Description

This 20 tonne Garrick Load Skate Kit has everything you need to facilitate the moving, positioning or installation of a wide range of loads, including heavy machinery & equipment.

The individual Skates are rated at 10T each, but used as a kit of 4 pieces, the total capacity is rated at 20T in the event that 2 Skates are carrying the whole load on uneven surfaces, plus the use of turntables, packing plates & bars also reduces possible effective capacity

### Features

- Safe and easy to use & suitable for moving heavy equipment over short distances

### Includes

- 4 x 10T load skates
- 2 x Turntables
- 2 x Steering handles
- 2 x Packing plates
- 2 x Link-up bars
- 1 x Metal box with castor wheels
- 1 x Draw bar

Product Brochure For C169

**Specific Features**



Complete Kit



Shown Setup



Turntable Shown On Skate



packing Plate Shown On Skate



Storage Case with Wheels & Handle



Case Handle



Turntable Steering Handle



Skate Link Up Bar



Kit Case



Fixed Castor Wheel For Case



Swivel Castor Wheel For Case

Product Brochure For C169

---

**Recommended Accessories**

C168  
Turntable & Handle

C1681  
Packing Plate - Suits 10 - 15  
Tonne

C167  
Load Skate - 10 Tonne

