

Product Brochure For C408

## Industrial Caster Wheel Set - CW-102

Ø100mm Wheels  
 2 x Fixed, 2 x Swivel/Brake

**On Sale**

<b>Ex GST</b>	<b>Inc GST</b>
<b>\$110.00</b>	<b>\$121.00</b>
<b>\$90.00</b>	<b>\$99.00</b>



ORDER CODE:	C408
MODEL:	CW-102
Quantity of Wheels in Pack (No.):	4
Wheel Type:	2 Fixed, 2 Swivel/Brake
Wheel Diameter (mm):	Ø100
Wheel Width (mm):	50
Total Height to Top of Plate (mm):	145
Load Capacity per Wheel (kg):	400
Load Capacity per Set (kg):	
Nett Weight (kg):	11



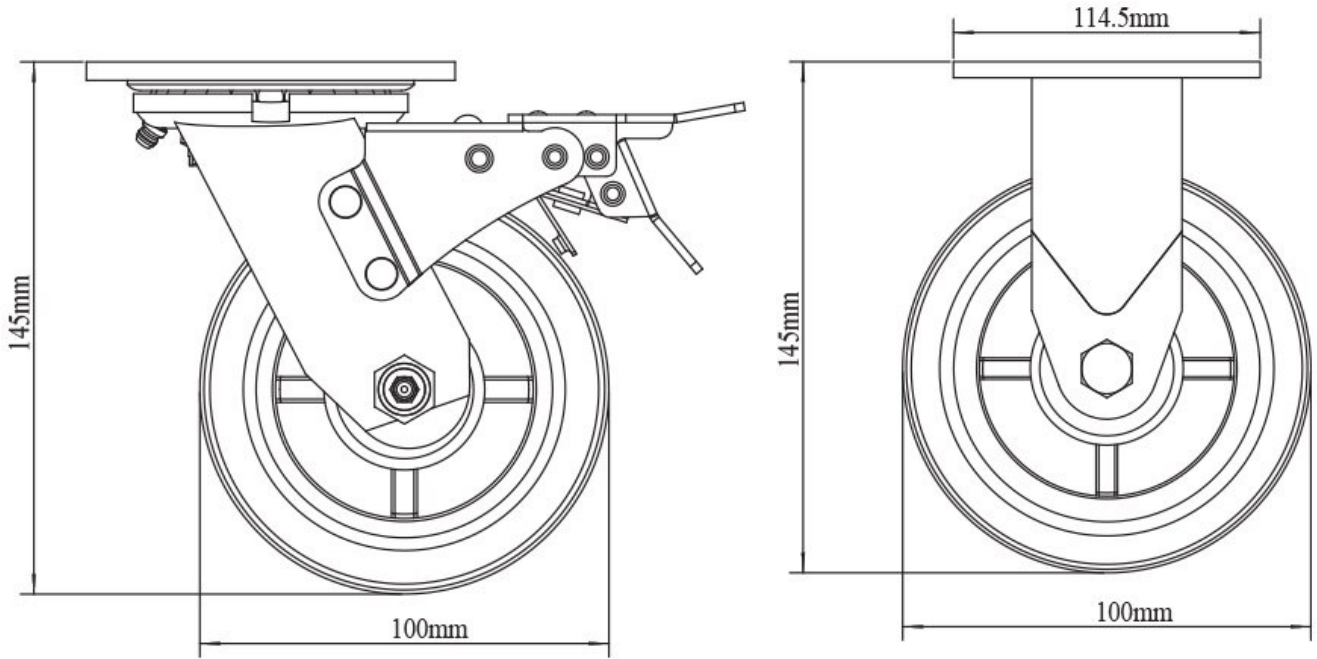
### Description

Industrial quality Ø100mm caster wheels, Tyre is made from 7mm thick polyurethane with an load capacity of up to 400kg per caster.

### Features

- Ø100mm x 50mm wide polyurethane wheel
- 2 x fixed wheels
- 2 x swivel wheels with brake
- 400kg each wheel capacity
- Brake also locks wheel from swivelling
- Swivel base incorporates ball bearings
- Ball bearing sealed race on main shaft
- 145mm overall height from base of wheel to top of plate
- Mounting plate 114.5 x 101.5mm with 4 slotted holes

Product Brochure For C408



**Specific Features**



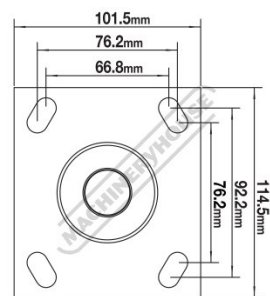
Ball Bearing Base With Greasing Nipple



Swivel Wheel With Brake



Fixed Wheel



Baseplate dimensions  
 Baseplate Dimensions

Product Brochure For C408

**Recommended Accessories**

**W08453**  
 750 x 1000mm 1D Welding  
 Table



**W08455**  
 Welding Table



**A380**  
 Steel Work Bench - 3 x Lockable  
 Drawers



**A415**  
 Industrial Work Bench



**A420**  
 Industrial Work Bench



**F298**  
 Stainless Steel Bench with  
 Splashback



**F280**  
 Stainless Steel Island Work  
 Bench



**S014**  
 Industrial Steel Shelving

