

Product Brochure For C7006

## High Precision 3 Jaw Self Centering Lathe Chuck - SK-9

Ø232mm

Front or Rear Back Plate Mount

**On Sale**

Ex GST

**\$990.00**

**\$850.00**

Inc GST

**\$1,089.00**

**\$935.00**



|                                |            |
|--------------------------------|------------|
| ORDER CODE:                    | C7006      |
| Model:                         | SK-9       |
| Chuck Size (mm):               | Ø232       |
| Bore / Through Hole Size (mm): | Ø70        |
| Mounting Type:                 | Back Plate |
| Gripping Force ((kgf)):        | 3000       |
| Gripping Range OD (mm):        | Ø11 - 220  |
| Gripping Range ID (mm):        | Ø70 - 210  |
| Max Speed Rating (rpm):        | 2000       |
| Nett Weight (Kg):              | 24         |

**Strong**



Made in Taiwan



### Description

Auto Strong are one of the world's leading manufacturers of lathe chucks. The SK Series are manufactured in Taiwan with a high precision gripping accuracy of 0.03mm and with a Meehanite casting body they are suitable for high-speed applications.

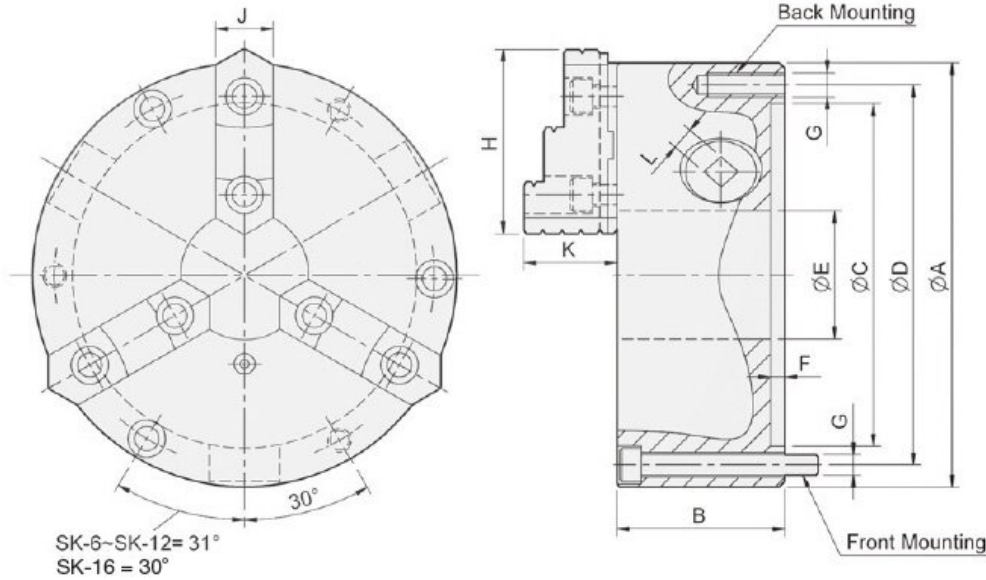
### Features

- 3 Jaw self centering lathe chuck
- High precision gripping accuracy of 0.03mm (0.0012") T.I.R
- 2 Piece hard jaws could be used as internal jaws and external jaws
- Meehanite chuck body suitable for high speed (Max. 2000rpm)
- Plain back suitable for front or rear back plate mounting
- Optional bolt on soft jaws are available

### Includes

- Chuck key

### 3 Jaw Self Centring Precision Lathe Chucks



| Order Code | Model | A   | B    | C   | D   | E   | F   | G     |           | H     | J  | K    | L  | Allowable Handle Torque (kgf•m) | Gripping Force (kgf) | Moment Of Inertial (kg•m <sup>2</sup> ) | Max. Speed (r.p.m.) | Weight (kg) | Gripping Range |            |
|------------|-------|-----|------|-----|-----|-----|-----|-------|-----------|-------|----|------|----|---------------------------------|----------------------|---|---------------------|-------------|----------------|------------|
|            |       |     |      |     |     |     |     | BACK  | FRONT     |       |    |      |    |                                 |                      |   |                     |             | O.D. Range     | I.D. Range |
| C7002      | SK-4  | 112 | 58   | 80  | 95  | 32  | 4.8 | 3-M8  | 3-M8x65   | 47    | 19 | 31.6 | 8  | 4.5                             | 1200                 | ~                                       | 2500                | 3.8         | Ø3-Ø95         | Ø34-Ø90    |
| C7003      | SK-6  | 167 | 67   | 130 | 147 | 45  | 5.5 | 3-M10 | 3-M10x70  | 72    | 26 | 40.2 | 10 | 9.0                             | 2200                 | 0.03                                    | 2000                | 9           | Ø4-Ø160        | Ø55-Ø150   |
| C7005      | SK-8  | 200 | 76.5 | 160 | 176 | 58  | 5.5 | 3-M10 | 3-M10x80  | 82    | 28 | 42   | 11 | 11.0                            | 2500                 | 0.07                                    | 2000                | 15.5        | Ø8-Ø190        | Ø68-Ø180   |
| C7006      | SK-9  | 232 | 84   | 190 | 210 | 70  | 6   | 3-M12 | 3-M12x90  | 90.9  | 32 | 51.2 | 12 | 15.0                            | 3000                 | 0.16                                    | 2000                | 22          | Ø11-Ø220       | Ø70-Ø210   |
| C7007      | SK-10 | 273 | 87   | 230 | 250 | 89  | 8   | 3-M12 | 3-M12x90  | 100.5 | 35 | 56.7 | 12 | 19.5                            | 4000                 | 0.26                                    | 1800                | 29.7        | Ø12-Ø260       | Ø80-Ø250   |
| C7008      | SK-12 | 310 | 96   | 260 | 285 | 105 | 7   | 3-M12 | 3-M12x110 | 114.5 | 40 | 56.8 | 14 | 21.0                            | 4200                 | 0.58                                    | 1800                | 43.5        | Ø15-Ø300       | Ø90-Ø290   |
| C7010      | SK-16 | 405 | 122  | 345 | 375 | 160 | 8.7 | ~     | 6-M14x130 | 148.6 | 50 | 76.1 | 15 | 25.0                            | 4500                 | 1.72                                    | 1500                | 98          | Ø30-Ø380       | Ø110-Ø360  |

Product Brochure For C7006

**Specific Features**



Optional Soft Jaws

**Recommended Accessories**

C7021  
Soft Jaw Set



C2864  
Chuck Key



L2875  
D1-5 Camlock Back Plate



A358  
Sky Hook Lifting Device



A358A  
Chuck Hook



A358B  
Choker Collar

