

Product Brochure For C721

4 Jaw Self Centring Lathe Chuck - K12-100

Ø100mm



On Sale

	Ex GST	Inc GST
	\$170.00	\$187.00
	\$144.55	\$159.00

ORDER CODE:	C721
Size (mm):	Ø100
Outside Jaw (mm):	2 - 30
Inside Jaw (mm):	30 - 80
Speed (rpm):	3500
D1 (mm):	72
D2 (mm):	84
D3 (bore) (mm):	22
H (mm):	74.5
H1 (mm):	55
h (mm):	3.5
z-d (mm):	3-M8
Nett Weight (kg):	3

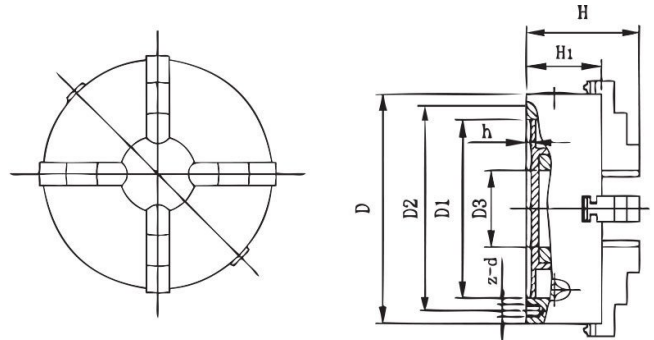


Description

100mm 4-JAW SELF-CENTRING LATHE CHUCK
 Manufactured from cast iron.
 Available only in back mount.

Includes

- 1 x set of outside hard jaws
- 1 x set of inside hard jaws
- 1 x key
- 1 x set of mounting screws



Product Brochure For C721

Specific Features



Back Plate Mount



Included Accessories



Front View

Recommended Accessories

L287

D1-4 Camlock Back Plate

L2875

D1-5 Camlock Back Plate

C2861

Chuck Key

