

Product Brochure For C723

4 Jaw Self Centring Lathe Chuck - K12-160

Ø160mm



On Sale

| | Ex GST | Inc GST |
|--|---------------------|---------------------|
| | \$250.00 | \$275.00 |
| | \$208.18 | \$229.00 |

| | |
|-------------------|----------|
| ORDER CODE: | C723 |
| Size (mm): | Ø160 |
| Outside Jaw (mm): | 3 - 55 |
| Inside Jaw (mm): | 55 - 145 |
| Speed (rpm): | 2500 |
| D1 (mm): | 130 |
| D2 (mm): | 142 |
| D3 (bore) (mm): | 45 |
| H (mm): | 95 |
| H1 (mm): | 65 |
| h (mm): | 5 |
| z-d (mm): | 3-M8 |
| Nett Weight (kg): | 8.7 |

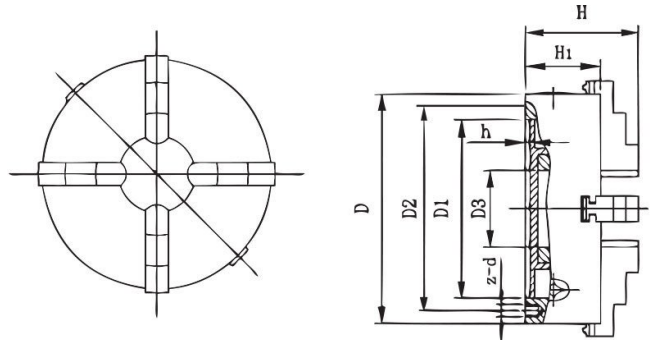


Description

160mm 4-JAW SELF-CENTRING LATHE CHUCK
 Manufactured from cast iron.
 Available only in back mount.

Includes

- 1 x set of outside hard jaws
- 1 x set of inside hard jaws
- 1 x key
- 1 x set of mounting screws



Product Brochure For C723

Specific Features



Back Plate Mount



Included Accessories



Front View

Recommended Accessories

L287

D1-4 Camlock Back Plate



L2875

D1-5 Camlock Back Plate



L289

D1-6 Camlock Back Plate



L286

D1-8 Camlock Back Plate



L2884

D1-11 Camlock Back Plate



C2863

Chuck Key

