

Product Brochure For C724

4 Jaw Self Centring Lathe Chuck - K12-200

Ø200mm

On Sale

Ex GST

Inc GST

\$340.00

\$374.00

\$290.00

\$319.00



ORDER CODE:	C724
Size (mm):	Ø200
Outside Jaw (mm):	4 - 85
Inside Jaw (mm):	65 - 200
Speed (rpm):	2000
D1 (mm):	165
D2 (mm):	180
D3 (bore) (mm):	65
H (mm):	109
H1 (mm):	75
h (mm):	5
z-d (mm):	3-M10
Nett Weight (kg):	17

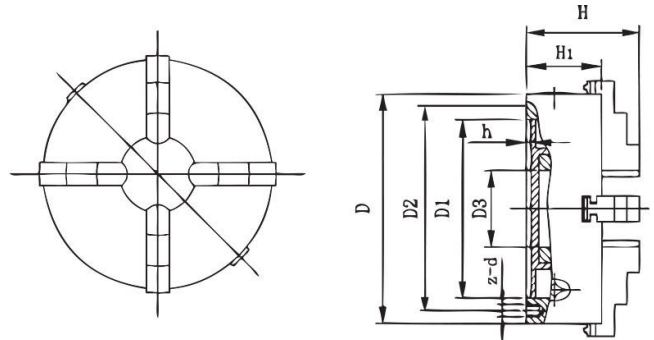


Description

200mm 4-JAW SELF-CENTRING LATHE CHUCK
 Manufactured from cast iron.
 Available only in back mount.

Includes

- 1 x set of outside hard jaws
- 1 x set of inside hard jaws
- 1 x key
- 1 x set of mounting screws



Product Brochure For C724

Specific Features



Back Plate Mount



Included Accessories



Front View

Recommended Accessories

L287
 D1-4 Camlock Back Plate



L2875
 D1-5 Camlock Back Plate



L289
 D1-6 Camlock Back Plate



L286
 D1-8 Camlock Back Plate



L2884
 D1-11 Camlock Back Plate



C2864
 Chuck Key

