

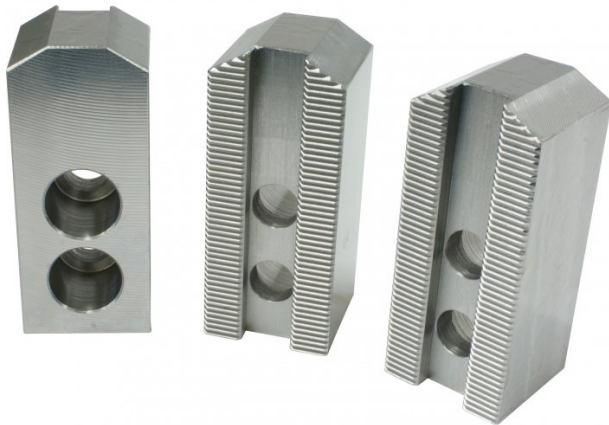
Product Brochure For C796

Soft Jaws to suit CNC lathes - Standard

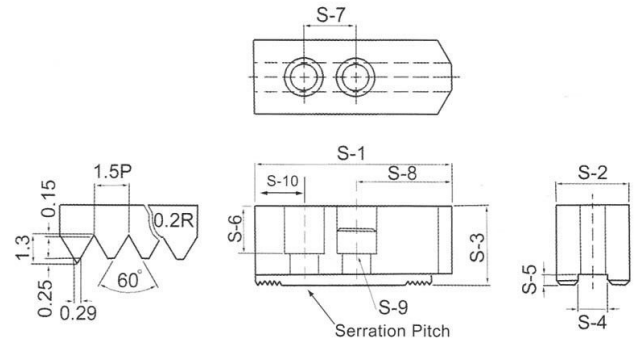
Ø6"

Ex GST  
**\$75.00**

Inc GST  
**\$82.50**



ORDER CODE:	C796
Size (inch):	6"
Type:	Standard
S-1 (mm):	73
S-2 (mm):	31
S-3 (mm):	30
S-4 (mm):	12
S-5 (mm):	5
S-6 (mm):	18
S-7 (mm):	20
S-8 (mm):	38
S-9 (mm):	M10
S-10 (mm):	15
Nett Weight (kg):	1.5



**Description**

Soft Jaws to suit CNC lathes

**Features**

- Maintains a high level of accuracy
- Serration pitch 1.5 x 60°