

Product Brochure For C7986

CNC Lathe - Tee Nut Sets B-200

Suit Size 8

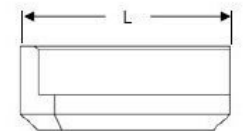
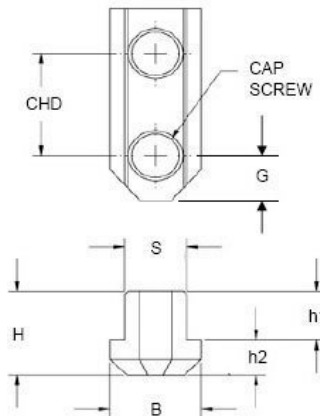
Ex GST
\$140.00

Inc GST
\$154.00



ORDER CODE:	C7986
Type:	B-200
Suit Size (mm):	8
H (mm):	20.5
h1 (mm):	12
h2 (mm):	8.5
B (mm):	20.5
L (mm):	46.5
G (mm):	10.5
CHD (mm):	25
S (mm):	14
Cap Screw (mm):	M12

**CHUCK JAWS T-NUTS
 HARDENED AND GROUND**



Description

Suits Kitagawa Chucks