

Product Brochure For C8001

Soft Jaws to suit CNC lathes - Extra Long

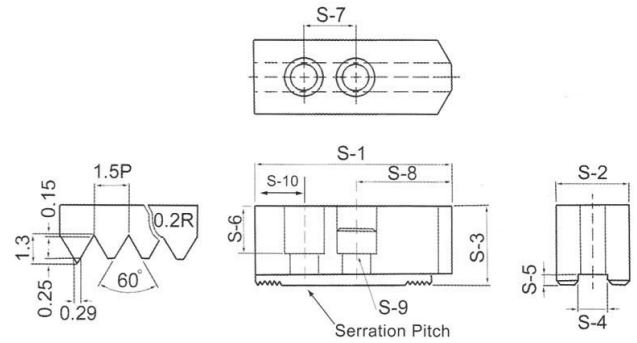
Ø10"

Ex GST
\$220.00

Inc GST
\$242.00



ORDER CODE:	C8001
Size (inch):	10"
Type:	Extra Long
S-1 (mm):	150
S-2 (mm):	40
S-3 (mm):	48
S-4 (mm):	~
S-5 (mm):	~
S-6 (mm):	~
S-7 (mm):	~
S-8 (mm):	~
S-9 (mm):	~
S-10 (mm):	~
Nett Weight (kg):	~



Description

Soft Jaws to suit CNC lathes

Features

- Maintains a high level of accuracy
- Serration pitch 1.5 x 60°