

Product Brochure For C8436

ER20 Collet

Ø8-Ø7mm

"Made in Taiwan"



On Sale

Ex GST

~~\$18.00~~

\$15.45

Inc GST

~~\$19.80~~

\$17.00

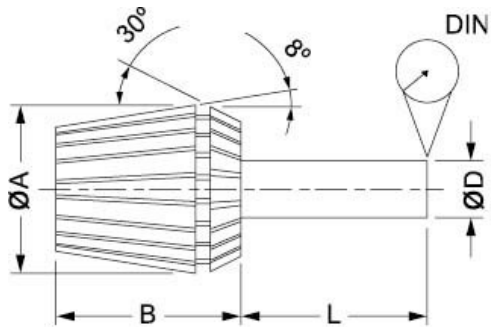
| | |
|-----------------------|-------|
| ORDER CODE: | C8436 |
| Type: | ER20 |
| Metric Size (mm): | 8 - 7 |
| Imperial Size (inch): | ~ |



Features

- Manufactured to DIN standard
- Collet size covers a range from expanded to compressed
- Collets from 2mm have 1mm of movement
- Collets are listed by their expanded size
- Eg. When ordering an ER32-3 the range is from 3mm expanded to 2mm compressed

Product Brochure For C8436



| Collet | A | B | L | DIN | RANGE (D) |
|--------|------|----|----|------|-----------|
| ER11 | 11.5 | 18 | 6 | 0.02 | 0.5-7.0 |
| ER16 | 17 | 27 | 10 | 0.02 | 0.5-10.0 |
| ER20 | 21 | 31 | 16 | 0.02 | 1.0-13.0 |
| ER25 | 26 | 35 | 25 | 0.02 | 1.0-16.0 |
| ER32 | 33 | 40 | 40 | 0.02 | 2.0-20.0 |
| ER40 | 41 | 46 | 50 | 0.03 | 3.0-26.0 |

Installation Guide - Please see downloads for full details

1.

2.

3.

