

Product Brochure For C8557

## ER25 Collet

Ø9-Ø8mm

"Made in Taiwan"



**On Sale**

Ex GST

~~\$20.00~~

**\$16.36**

Inc GST

~~\$22.00~~

**\$18.00**

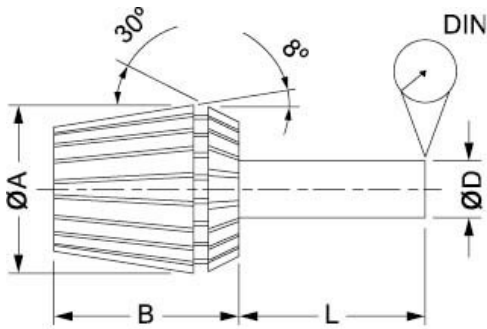
ORDER CODE:	C8557
Type:	ER25
Metric Size (mm):	9 - 8
Imperial Size (inch):	~



### Features

- Manufactured to DIN standard
- Collet size covers a range from expanded to compressed
- Collets from 2mm have 1mm of movement
- Collets are listed by their expanded size
- Eg. When ordering an ER32-3 the range is from 3mm expanded to 2mm compressed

Product Brochure For C8557



Collet	A	B	L	DIN	RANGE (D)
ER11	11.5	18	6	0.02	0.5-7.0
ER16	17	27	10	0.02	0.5-10.0
ER20	21	31	16	0.02	1.0-13.0
ER25	26	35	25	0.02	1.0-16.0
ER32	33	40	40	0.02	2.0-20.0
ER40	41	46	50	0.03	3.0-26.0

**Installation Guide** - Please see downloads for full details



**Recommended Accessories**

C860  
ER25 Collet Set - 15 Piece

C864  
25 x 150 x ER25 Collet Chuck - Straight

C861  
ER25 Collet Chuck Wrench

T214  
BT40 x ER25-70 Collet Chuck



Product Brochure For C8557

---

T215

BT40 x ER25-100 Collet Chuck

