

Product Brochure For C929A

Collet & Chuck Set - 20 Piece - BT40 x ER32

Collet Range Ø3 - Ø20mm
 "Made in Taiwan"



On Sale - Package Deal

| Ex GST | Inc GST |
|-----------------|-----------------|
| \$400.00 | \$440.00 |
| \$350.00 | \$385.00 |

Package Contents - SAVE \$90.20 (Inc)

| | |
|--|-----------------|
| 1 x C922 - ER32 Collet Set - 18 Piece | \$330.00 |
| 1 x C932 - ER32 Collet Chuck Wrench | \$35.20 |
| 1 x T220 - BT40 x ER32-70 Collet Chuck | \$110.00 |

Normal Price (Inc): \$475.20

| | |
|----------------------------|--|
| ORDER CODE: | C929A |
| Chuck Taper: | BT40 |
| Collet Type: | ER32 |
| Number of Collets (No.): | 18 |
| Collet Diameter Range (Ø): | 3-2, 4-3, 5-4, 6-5 & 7-6, 8-7, 9-8, 10-9 & 11-10, 12-11, 13-12 & 14-13, 15-14, 16-15 & 17-16, 18-17, 19-18 & 20-19mm |
| Drawbar Thread: | M16 |



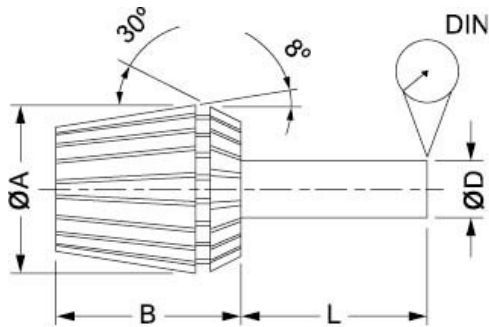
Description

Precision BT40 collet chuck complete with a full set of ER32 collets.

Features

- Includes spanner
- Chuck and collets as listed below
- Blow mould case

Product Brochure For C929A



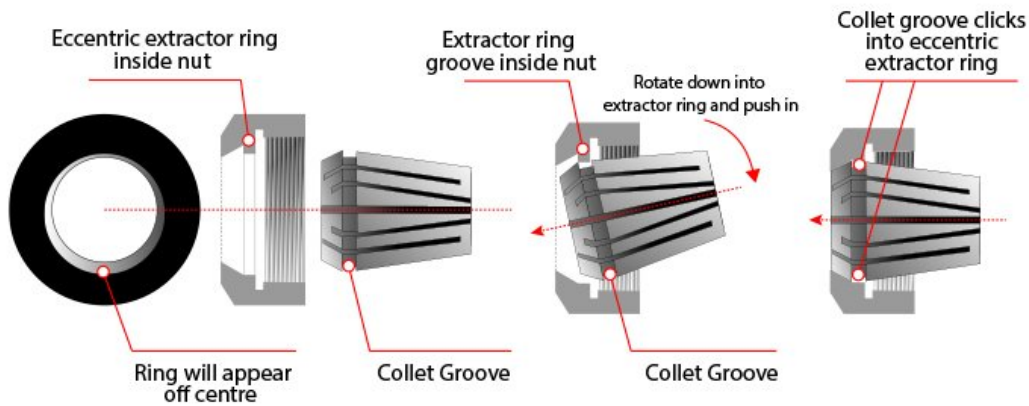
| Collet | A | B | L | DIN | RANGE (D) |
|--------|------|----|----|------|-----------|
| ER11 | 11.5 | 18 | 6 | 0.02 | 0.5-7.0 |
| ER16 | 17 | 27 | 10 | 0.02 | 0.5-10.0 |
| ER20 | 21 | 31 | 16 | 0.02 | 1.0-13.0 |
| ER25 | 26 | 35 | 25 | 0.02 | 1.0-16.0 |
| ER32 | 33 | 40 | 40 | 0.02 | 2.0-20.0 |
| ER40 | 41 | 46 | 50 | 0.03 | 3.0-26.0 |

Installation Guide - Please see downloads for full details

1.

2.

3.



Recommended Accessories

C117
Collet Nut ER32

C932
ER32 Collet Chuck Wrench

T220
BT40 x ER32-70 Collet Chuck

C912
ER32 Collet



Product Brochure For C929A

T142
Pull Stud

T144
Pull Stud

T145
Pull Stud

