

Product Brochure For C964

## Collet & Chuck Set - 25 Piece - R8 x ER40

Collet Range Ø3 - Ø26mm  
 "Made in Taiwan"

**On Sale - Package Deal**

Ex GST	Inc GST
<del>\$660.00</del>	<del>\$726.00</del>
<b>\$590.00</b>	<b>\$649.00</b>

**Package Contents - SAVE \$165.00 (Inc)**

1 x C138 - Collet Chuck R8 x ER40 R8 x ER40	<b>\$176.00</b>
1 x C958 - ER40 Collet Set - 23 Piece	<b>\$594.00</b>
1 x C969 - ER40 Collet Chuck Wrench	<b>\$44.00</b>

**Normal Price (Inc): \$814.00**



ORDER CODE:	C964
Chuck Taper:	R8
Collet Type:	ER40
Number of Collets (No.):	23
Collet Diameter Range (Ø):	4-3, 5-4, 6-5, 7-6 & 8-7, 9-8, 10-9, 11-10 & 12-11, 13-12, 14-13 & 15-14, 16-15, 17-16 & 18-17, 19-18, 20-19 & 21-20, 22-21, 23-22 & 24-23, 25-24, 26-25mm
Drawbar Thread:	7/16" UNF



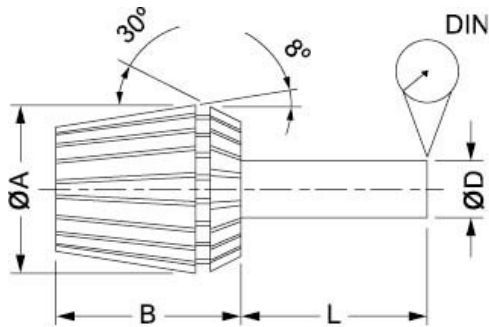
### Description

Precision R8 Chuck with ball bearing nut and a full set of ER40 collets.

### Features

- Includes spanner
- Chuck and collets as listed
- In blow mould case

Product Brochure For C964



Collet	A	B	L	DIN	RANGE (D)
ER11	11.5	18	6	0.02	0.5-7.0
ER16	17	27	10	0.02	0.5-10.0
ER20	21	31	16	0.02	1.0-13.0
ER25	26	35	25	0.02	1.0-16.0
ER32	33	40	40	0.02	2.0-20.0
ER40	41	46	50	0.03	3.0-26.0

**Installation Guide** - Please see downloads for full details



**Recommended Accessories**

C118  
 Collet Nut - ER40 Ball Bearing Nut

C969  
 ER40 Collet Chuck Wrench

C138  
 Collet Chuck R8 x ER40

C934  
 ER40 Collet

