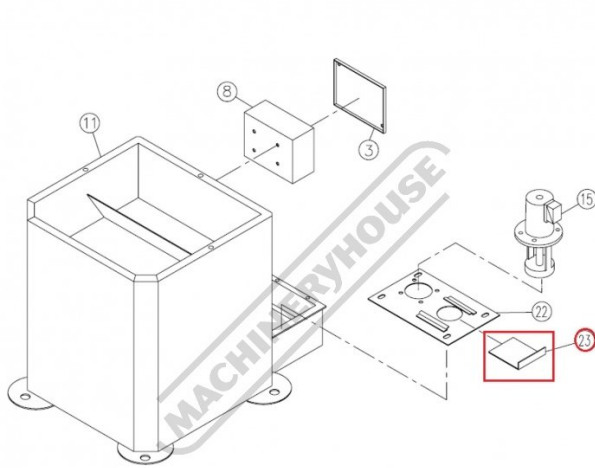


Product Brochure For CS0023

# COOLANT LID (H0H010) - #23

Suits: MC-370 + other models



023	H0H010	遮蓋 (噴漆)	1	大立座附件
-----	--------	---------	---	-------



ORDER CODE:	CS0023
MODEL:	~
Type:	~
Tank Capacity (Litre):	~
Discharge at 1 metre Lift (L/min):	~
Length (L) (mm):	~
Submerge Depth (L1) (mm):	~
4 Mount Holes (PCD) (mm):	~
Threaded Outlet (BSPT):	~
A (mm):	~
B (mm):	~
C (mm):	~
D (mm):	~
E (mm):	~
F (mm):	~
G (mm):	~
H:	~
I (mm):	~
J (mm):	~
K (mm):	~
Motor Power (hp):	~
Voltage / Amperage (V / amp):	~
Dimensions (L x W x H) (mm):	~
Nett Weight (kg):	~