

Product Brochure For D5229

## 920mm Sino Digital Readout Scale - MK-300-920/5U

Standard Scale  
 5µm Resolution



|                                   |                |
|-----------------------------------|----------------|
| ORDER CODE:                       | D5229          |
| MODEL:                            | ~              |
| Type:                             | Standard Scale |
| Travel - Maximum (mm):            | 920            |
| Overall Length (L) (mm):          | ~              |
| Scale Resolution (µm):            | 5              |
| Grating Pitch:                    | ~              |
| Accuracy (µm):                    | ~              |
| Output Signal:                    | ~              |
| Connector:                        | ~              |
| Cable Length (Metre):             | 3              |
| Working Temperature (°C):         | ~              |
| Sealing Protection Class:         | ~              |
| Maximum Speed (M/min):            | ~              |
| Reference Point:                  | ~              |
| Width x Height (W x H) (mm):      | ~              |
| Backing Support Plate (Yes / No): | No             |

**SINO**



### Description

Sino MK series DRO scales offer an affordable low cost solution for your Lathe or Milling machine digital readout requirements. Scales lengths available in a range from 170mm to 1020mm. Compact scales available ranging from 170mm to 270mm specially designed to suit X-Axis travels on Lathes.

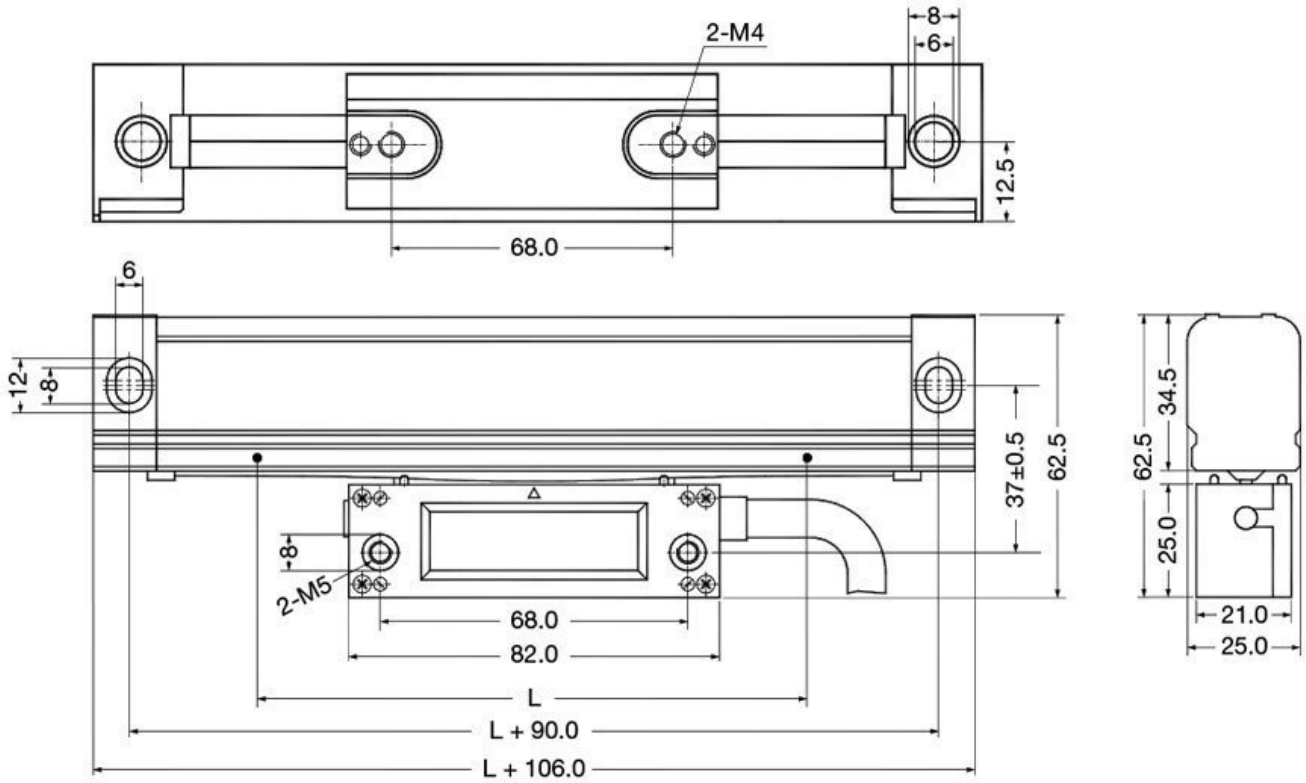
### Features

- Scale body made from extruded aluminium with wiper seals
- Glass scale with 5µm resolution
- 3m connection cable with 9 pin D-Sub connector
- The slide carrier of the MK series scales uses Japanese NSK bearings to provide high precision, low noise and long service life
- Includes cover & mounting screws
- Optional mounting backing plates available for ease of installation on non-machined surfaces
- An easy-to-follow D.I.Y. Installation Manual is supplied with each system, complete with illustrations and mounting brackets

### Optional Accessories

- Mounting backing plate to suit (D5249) available for ease of installation on non-machined surfaces

## Sino MK-300 Series Scales



L = Effective measuring length of scale

Product Brochure For D5229

---

**Specific Features**



Reader Head



DSub9 Male Plug



Included Parts

**Recommended Accessories**

D5249

Scale - Backing Plate & Cover

