

Product Brochure For D5231

1020mm Sino Digital Readout Scale - MK-300-1020/5U

Standard Scale
 5µm Resolution



| | |
|-----------------------------------|----------------|
| ORDER CODE: | D5231 |
| MODEL: | ~ |
| Type: | Standard Scale |
| Travel - Maximum (mm): | 1020 |
| Overall Length (L) (mm): | ~ |
| Scale Resolution (µm): | 5 |
| Grating Pitch: | ~ |
| Accuracy (µm): | ~ |
| Output Signal: | ~ |
| Connector: | ~ |
| Cable Length (Metre): | 3 |
| Working Temperature (°C): | ~ |
| Sealing Protection Class: | ~ |
| Maximum Speed (M/min): | ~ |
| Reference Point: | ~ |
| Width x Height (W x H) (mm): | ~ |
| Backing Support Plate (Yes / No): | No |

SINO



Description

Sino MK series DRO scales offer an affordable low cost solution for your Lathe or Milling machine digital readout requirements. Scales lengths available in a range from 170mm to 1020mm. Compact scales available ranging from 170mm to 270mm specially designed to suit X-Axis travels on Lathes.

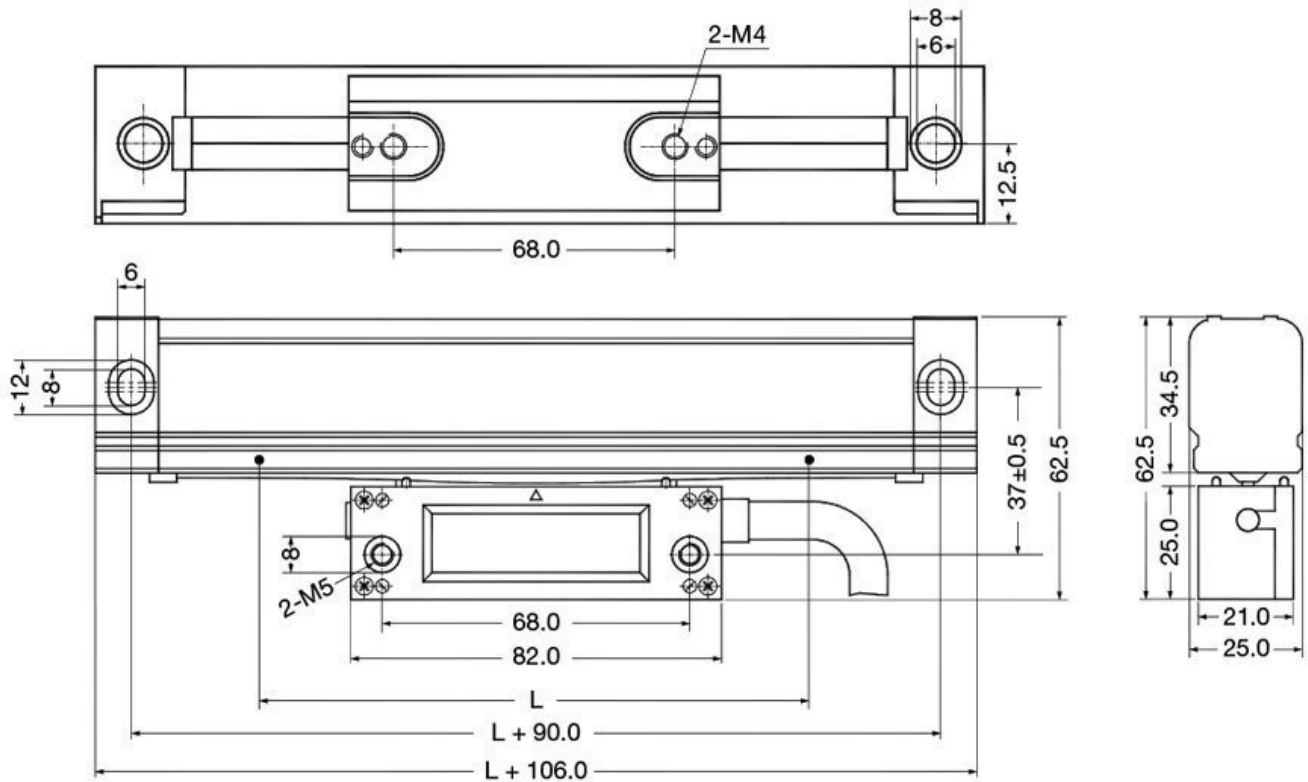
Features

- Scale body made from extruded aluminium with wiper seals
- Glass scale with 5µm resolution
- 3m connection cable with 9 pin D-Sub connector
- The slide carrier of the MK series scales uses Japanese NSK bearings to provide high precision, low noise and long service life
- Includes cover & mounting screws
- Optional mounting backing plates available for ease of installation on non-machined surfaces
- An easy-to-follow D.I.Y. Installation Manual is supplied with each system, complete with illustrations and mounting brackets

Optional Accessories

- Mounting backing plate to suit (D5251) available for ease of installation on non-machined surfaces

Sino MK-300 Series Scales



L = Effective measuring length of scale

Product Brochure For D5231

Specific Features



Reader Head



DSub9 Male Plug



Included Parts

Recommended Accessories

D5251

Scale - Backing Plate & Cover

