

Product Brochure For D728

600mm Easson Digital Readout Scale

VS10 Standard Scale
 5µm Resolution

Ex GST
\$230.00

Inc GST
\$253.00



ORDER CODE:	D728
MODEL:	~
Type:	VS10 Standard Scale
Travel - Maximum (mm):	600
Overall Length (L) (mm):	746
Scale Resolution (µm):	5
Grating Pitch:	~
Accuracy (µm):	±10
Output Signal:	~
Connector:	~
Cable Length (Metre):	3
Working Temperature (°C):	~
Sealing Protection Class:	~
Maximum Speed (M/min):	~
Reference Point:	~
Width x Height (W x H) (mm):	27.5 x 33.5
Backing Support Plate (Yes / No):	No

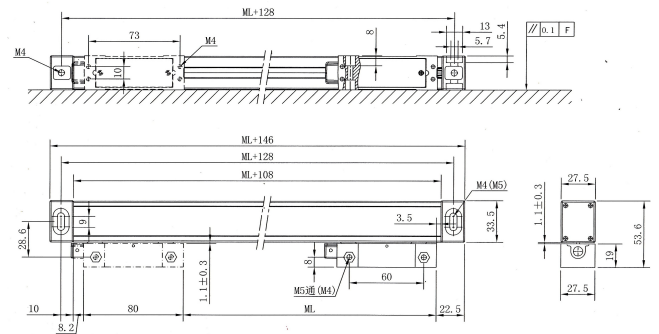


Description

Easson VS series Glass Grating Linear Transducer: EASSON - Always committed to Quality, Technology & Innovation

Features

- **DOUBLE SEAL DESIGNED SCALES:**
- The plastic seals of the transducer use an innovative material to offer superior oil resistance, high elastic recovery properties and durability, carefully designed lip geometry offer low slide resistance.
- **100% LASER CALIBRATION:**
- All glass grating transducers are individually inspected and calibrated by our in-house laser calibrator to ensure accuracy complies 100% with the specifications.
- **ADVANCED OPTICAL MEASURING SYSTEM:**
- The slide carrier of the VS series scales, use a five bearing design for optical grating linear transducer which has been proven as the most reliable system design in today's market.
- The glass grating slide-ways are lapped, and JIS standard P5 grade bearings are used to achieve smooth and accurate movement and long working life.
- **D.I.Y. INSTALLATION:**
- An easy-to-follow D.I.Y. Installation Manual is supplied with each system, complete with illustrations and mounting brackets.



Product Brochure For D728

MODEL	VS 10	VS 20	GS 30
Measuring Standard	Glass scale - Grating period: 20µm (0.020mm)		
Optical Detecting System	Transmissive Infrared System: Wavelength - 880nm		
Slide Carrier System	Vertical five bearing supporting system	45° five bearing supporting system	Vertical five bearing supporting system
Resolution	5µm	5µm	5µm
Measurement Travel (100-1200mm)	Every 50mm per length specification	-	Every 50mm per length specification
Measurement Travel (1300-3000mm)	-	Every 100mm per length specification	-
Accuracy (100-450mm)	±6µm	-	±6µm
Accuracy (500-800mm)	±10µm	-	-
Accuracy (1050-1200mm)	±15µm	-	-
Accuracy (1300-3000mm)	-	±25µm	-
Repeatability	2µm (0.002mm)		
Hysteresis	3µm (0.003mm)		
Protection	DIN40050 IP53		
Power Supply	DC 5V ±5%		
Output Signals	TTL		

Specific Features



DSub9 Male Plug



Dsub9 Wiring Diagram



DIY Installation



Parts



Close Up

Product Brochure For D728

Recommended Accessories

D709

Easson Scales - Extension
Cable



D710

Easson Scales - Extension
Cable



D772

Digital Readout Scale Mounting
Bracket Kit



D711

Adaptor Cable



D712

Adaptor Cable

