

Product Brochure For D730

## 700mm Easson Digital Readout Scale

VS10 Standard Scale  
 5µm Resolution

**Ex GST**  
**\$230.00**

**Inc GST**  
**\$253.00**



ORDER CODE:	D730
MODEL:	~
Type:	VS10 Standard Scale
Travel - Maximum (mm):	700
Overall Length (L) (mm):	846
Scale Resolution (µm):	5
Grating Pitch:	~
Accuracy (µm):	±10
Output Signal:	~
Connector:	~
Cable Length (Metre):	3
Working Temperature (°C):	~
Sealing Protection Class:	~
Maximum Speed (M/min):	~
Reference Point:	~
Width x Height (W x H) (mm):	27.5 x 33.5
Backing Support Plate (Yes / No):	No

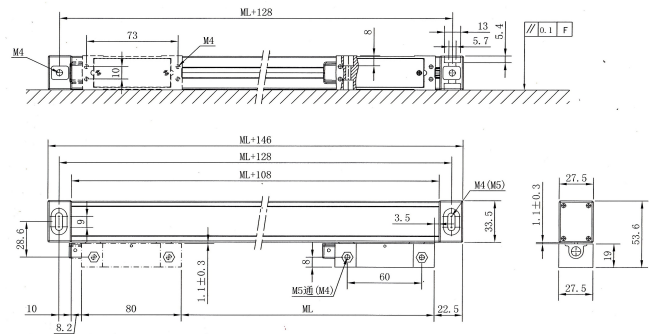


### Description

Easson VS series Glass Grating Linear Transducer: EASSON - Always committed to Quality, Technology & Innovation

### Features

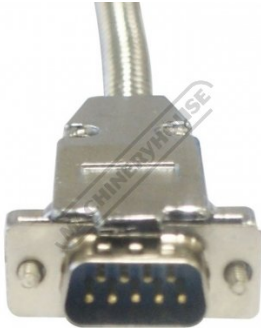
- **DOUBLE SEAL DESIGNED SCALES:**  
 The plastic seals of the transducer use an innovative material to offer superior oil resistance, high elastic recovery properties and durability, carefully designed lip geometry offer low slide resistance.
- **100% LASER CALIBRATION:**  
 All glass grating transducers are individually inspected and calibrated by our in-house laser calibrator to ensure accuracy complies 100% with the specifications.
- **ADVANCED OPTICAL MEASURING SYSTEM:**  
 The slide carrier of the VS series scales, use a five bearing design for optical grating linear transducer which has been proven as the most reliable system design in today's market.  
 The glass grating slide-ways are lapped, and JIS standard P5 grade bearings are used to achieve smooth and accurate movement and long working life.
- **D.I.Y. INSTALLATION:**  
 An easy-to-follow D.I.Y. Installation Manual is supplied with each system, complete with illustrations and mounting brackets.



MODEL		VS 10	
Measuring Standard	Glass scale - Grating		
Optical Detecting System	Transmissive Infrared		
Slide Carrier System	Vertical five bearing supporting system	45° support	
Resolution	5µm		
Measurement Travel (100-1200mm)	Every 50mm per length specification		
Measurement Travel (1300-3000mm)	-		Every length
Accuracy (100-450mm) Accuracy (500-1000mm) Accuracy (1050-1250mm) Accuracy (1300-3000mm)	±3 - ±5µm ±10µm ±10µm -		
Repeatability	2µm		
Hysteresis	3µm		
Protection	DIN		
Power Supply	DC		
Output Signals			

Product Brochure For D730

**Specific Features**



DSUB9 Male Plug

**Dsub 9**  
9 pin male connector plug

Pin	TTL Signal	Cable Color	422A Signal	Cable Color
1	—	—	A	Yellow
2	0V	Orange	0V	White
3	—	—	B	Red
4	Grnd	Ground	Grnd	Ground
5	—	—	R	Black
6	A	Yellow	A	Green
7	5V	Red	5V	Brown
8	B	Green	B	Blue
9	R	Brown	R	Gray

Dsub9 Wiring Diagram



DIY Installation



Parts



Close Up

**Recommended Accessories**

**D709**  
Easson Scales - Extension Cable

**D710**  
Easson Scales - Extension Cable

**D772**  
Digital Readout Scale Mounting Bracket Kit

**D711**  
Adaptor Cable



Product Brochure For D730

---

D712  
Adaptor Cable

