

Product Brochure For D899

## Portable Magnetic Drill - 18V Cordless - CLA-2720

Includes Smart LED Sensor Technology  
 Ø27mm Drill Capacity - Manual Feed



ORDER CODE:	D899
MODEL:	CLA-2720
Feed:	Manual
Drilling Capacity Range - Manual (mm):	12 - 27
Drilling Capacity Range - Auto Feed (mm):	-
Height Adjustment (mm):	-
Stroke (mm):	-
Maximum Thickness (mm):	20
Suits Cutter Shank Size (mm):	19
Number of Drilling Speeds (No.):	1
Full Load Drilling Speeds (rpm):	-
No Load Drilling Speeds (rpm):	-
Magnetic Holding Power (kg/f):	-
Motor Power (kW / hp):	Li-on Battery 18V 4.0 Ah
Voltage / Amperage (V / amp):	18 / -
Machine Weight Only (kg):	-
Nett Weight (kg):	7



### Description

Nitto Kohki are proud to release their first cordless Atra Ace Magnetic Based Drill.

Nitto Kohki's first cordless Atra Ace Drill. Powered by a 18V 4Ah Lithium-Ion battery, all in a lightweight (7kg) compact size (293 x 199mm) for use in those hard to reach areas.

The CLA-2720 provides the quality features of the existing range packed into a lightweight, compact model that will assist in hole drilling in those tight spaces where provision of power also becomes an issue. The CLA-2720 will be supplied with two 18v 4.0Ah Lithium-ion batteries giving it a capacity of 27mm diameter holes through 20mm thick mild steel.

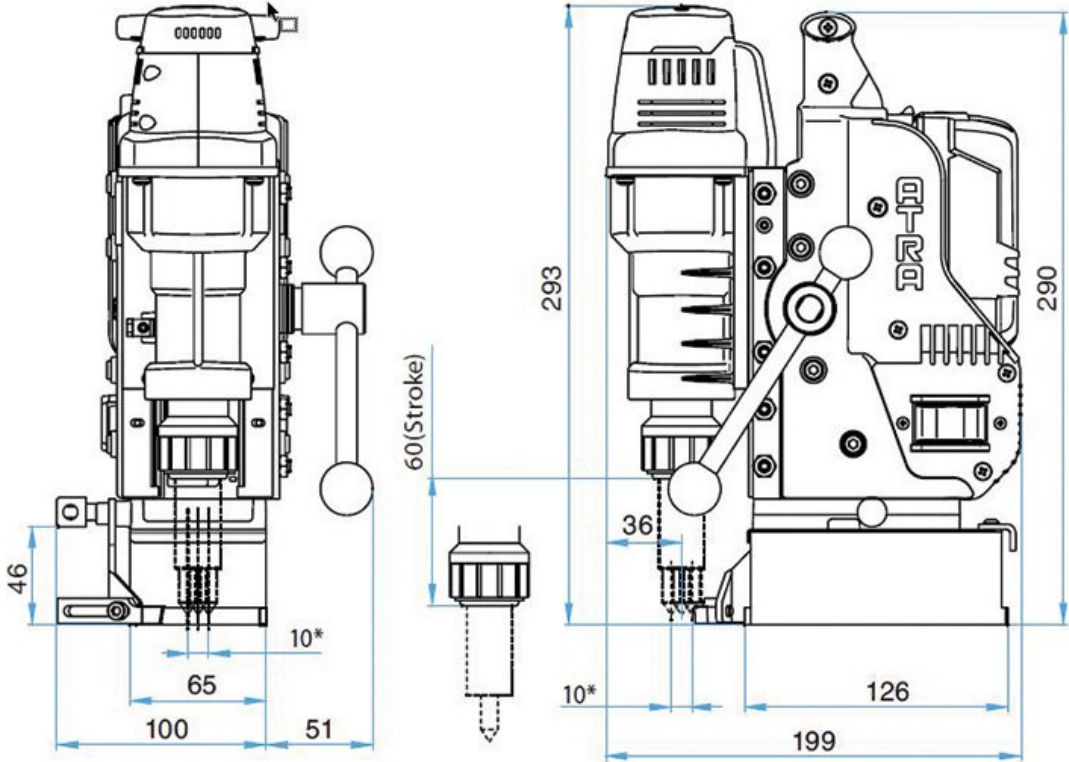
To conserve energy the Magnetic Force Control Function ensures that the magnetic force is automatically reduced when the drill is not running, whilst the Soft Start Function prevents large current on start-up by starting the drill gently. Additionally the Automatic Drill Stop and Warning Functions eliminate unnecessary operations further enhancing the conservation of power. Recharging of battery is 95% completed in 45 minutes, full charge in 90 minutes.

Unique safety alert systems empower the operator with information on the battery life, motor load and side slip. The CLA-2720 comes with highly sensitive built-in sensors that detect side slip and inclination. It also detects other faults through a Self-Check Function and alerts the operator via an LED light indication system. Other safety features include automatic shut down to protect the motor and operator by bringing the motor to a full stop if either there is an excessive load kept on the drill or when there is only 30min of magnetic power left in the battery.

### Features

- Super lightweight 7kg (including battery)
- 18V 4.0 Ah Li-Ion battery powered
- Compact size (293 x 199mm) allows drilling in tight spots
- Ultimate safety incorporated
- Smart LED sensor technology
- Unique battery conservation
- Reversible feed handles
- Adjustable drilling position (10mm right / left & front / back)
- 27mm dia. capacity, 20mm depth of cut
- 6mm minimum plate thickness

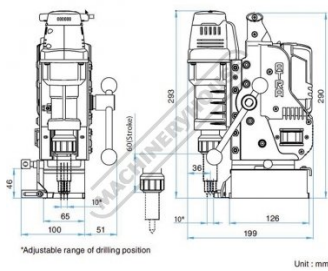
Product Brochure For D899



\*Adjustable range of drilling position

Unit : mm

**Specific Features**



Diagram

Product Brochure For D899

**Recommended Accessories**

D109  
 HSS Broach Drill Set - 6 Piece



D9590  
 HSS Countersink / Chamfer Cutter



D9512  
 HSS Drill Broach Cutter



D912  
 HSS-Co (5% Cobalt) Drill Broach Cutter



D912A  
 HSS-Co (5% Cobalt) Drill Broach Cutter



D9513  
 HSS Drill Broach Cutter



D9550  
 HSS Drill Broach Cutter



D9514  
 HSS Drill Broach Cutter



Product Brochure For D899

D9516  
HSS Broach Drill Cutter



D9552  
HSS Drill Broach Cutter



D9517  
HSS Drill Broach Cutter



D9518  
HSS Drill Broach Cutter



D9554  
HSS Drill Broach Cutter



D9520  
HSS Drill Broach Cutter



D9556  
HSS Drill Broach Cutter



D9522  
HSS Drill Broach Cutter



D9558  
HSS Drill Broach Cutter



D9523  
HSS Drill Broach Cutter



D9524  
HSS Drill Broach Cutter



D9560  
HSS Drill Broach Cutter



Product Brochure For D899

D9525  
 HSS Drill Broach Cutter



D9562  
 HSS Drill Broach Cutter



D9526  
 HSS Drill Broach Cutter



D9564  
 HSS Drill Broach Cutter



D9528  
 HSS Drill Broach Cutter



D9566  
 HSS Drill Broach Cutter



D9530  
 HSS Drill Broach Cutter



D9568  
 HSS Drill Broach Cutter



D9532  
 HSS Drill Broach Cutter



D9570  
 HSS Drill Broach Cutter



D932  
 HSS-Co (5% Cobalt) Drill  
 Broach Cutter



D932A  
 HSS-Co (5% Cobalt) Drill  
 Broach Cutter



Product Brochure For D899

D9534  
 HSS Drill Broach Cutter



D9572  
 HSS Drill Broach Cutter



D934  
 HSS-Co (5% Cobalt) Drill Broach Cutter



D934A  
 HSS-Co (5% Cobalt) Drill Broach Cutter



D9535  
 HSS Drill Broach Cutter



D9574  
 HSS Drill Broach Cutter



D935  
 HSS-Co (5% Cobalt) Drill Broach Cutter



D935A  
 HSS-Co (5% Cobalt) Drill Broach Cutter



D936  
 HSS-Co (5% Cobalt) Drill Broach Cutter



D9576  
 HSS Drill Broach Cutter



D938A  
 HSS-Co (5% Cobalt) Drill Broach Cutter



D9578  
 HSS Drill Broach Cutter



Product Brochure For D899

**D940**  
 HSS-Co (5% Cobalt) Drill  
 Broach Cutter



**D9580**  
 HSS Drill Broach Cutter



**D9582**  
 HSS Drill Broach Cutter



**D9584**  
 HSS Drill Broach Cutter



**S090A**  
 Soluble Metal Cutting Fluid - 1  
 Litre



**S090**  
 Soluble Metal Cutting Fluid - 5  
 Litre



**L300**  
 Magnetic Swarf Remover



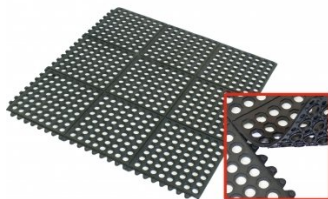
**M9991**  
 Magnetic Floor Sweeper



**M800**  
 Rubber Mat - Anti-Fatigue



**M805**  
 Rubber Mat - Anti-Fatigue



**O000**  
 SpillFix Universal Organic  
 Absorbent



**O043**  
 Rust & Corrosion Preventive



Product Brochure For D899

O042

General Purpose Lubricant & Corrosion Inhibitor



O040

Rust & Corrosion Preventive



O044

Rust & Corrosion Preventive

