

Product Brochure For G616

## Lathe Safety Chuck Guard - LG-13

330mm Centre Height

**Ex GST**  
**\$320.00**

**Inc GST**  
**\$352.00**



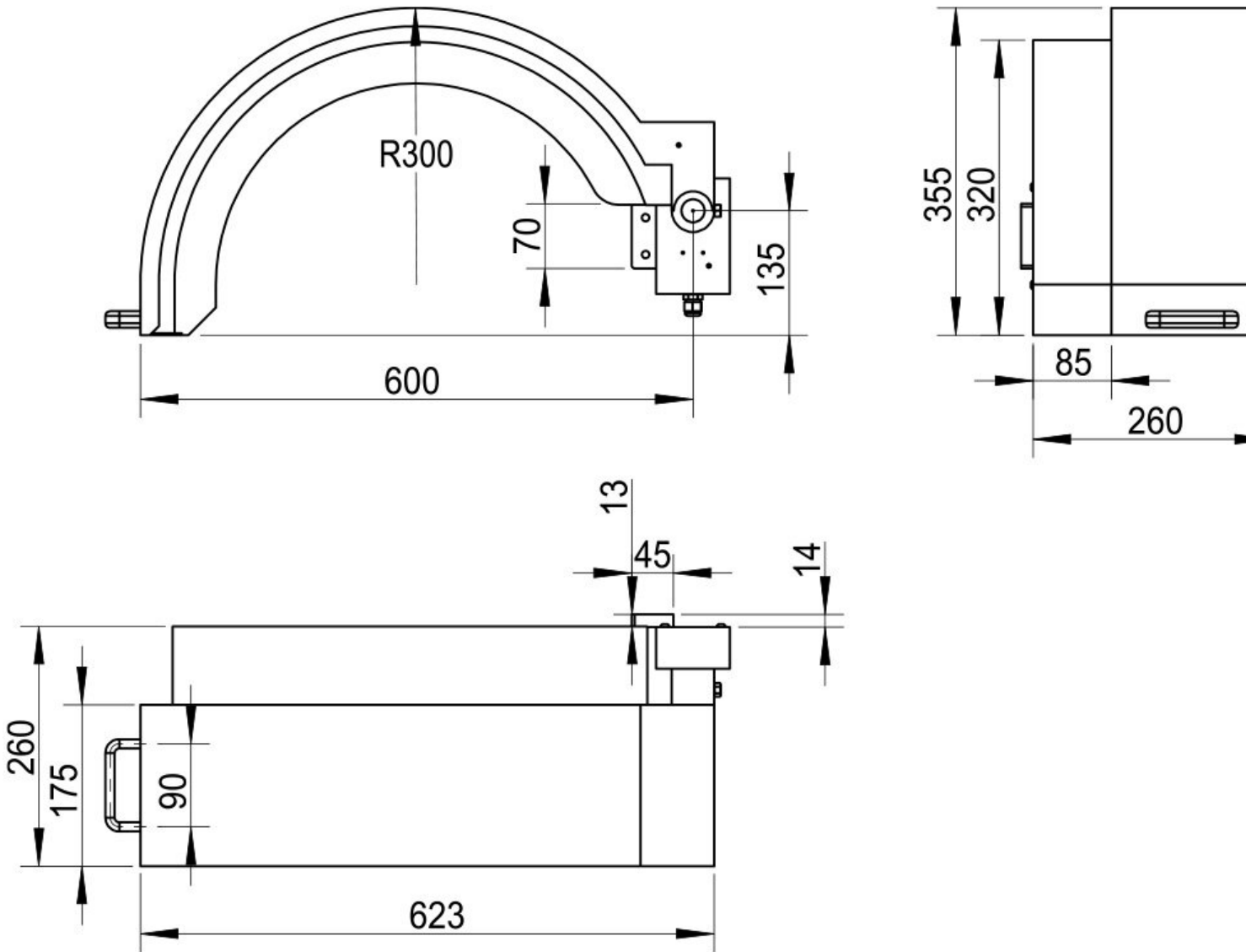
|  |                    |
|--|--------------------|
| ORDER CODE:                                  | G616               |
| MODEL:                                       | LG-13              |
| Guard Type:                                  | Safety Chuck Guard |
| Material Type:                               | Steel              |
| Leadscrew Cover Width (mm):                  | ~                  |
| Suits Lathe - Distance Between Centres (mm): | ~                  |
| Suits Lathe Centre Height (mm):              | 330                |
| Suits Lathe Chuck Size Max. (mm):            | Ø400               |



### Features

- Retro fits to lathe headstock with a 330mm centre height
- Suits up to Ø400mm lathe chucks
- Swivel steel safety chuck guard with handle
- Includes safety chuck guard, mounting bracket with micro switch and wiring
- Micro switch recommended for 12V or 24V
- Installation required by a licensed electrician

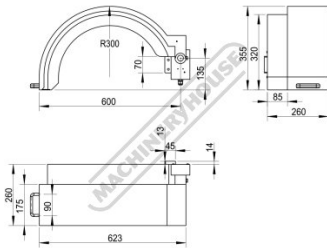
Product Brochure For G616



Product Brochure For G616

---

**Specific Features**



**Dimensions**