

Product Brochure For H250

Electric Chain Hoist - TECH0103

1 Tonne x 3 Metre Lift
 Single Speed: 6m/min. Lift Speed



On Sale

Ex GST	Inc GST
\$2,156.00	\$2,371.60
\$1,980.00	\$2,178.00

ORDER CODE:	H250
MODEL:	TECH0103
Capacity (Tonne):	1
Lift Height (Metre):	3
Lift Speed (m/min):	6
Motor Power (W):	1200
Voltage (V):	240



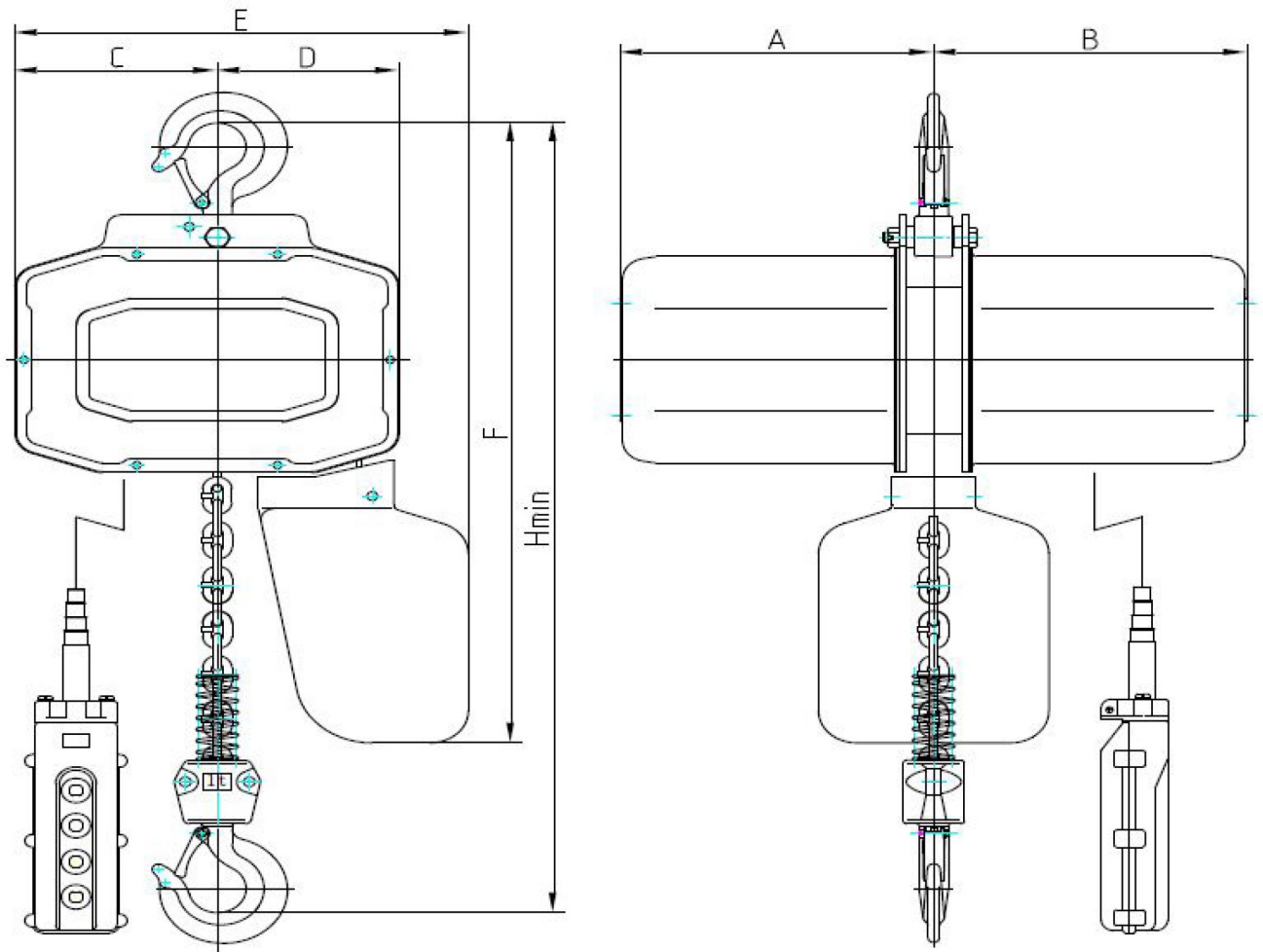
Description

Thermal Prevention Device Fitted

Features

- Light weight, compact design with high efficiency motor
- Pressed steel structure, high strength body
- High tensile alloy steel top & bottom hooks
- Grade 80 - 7.1mm Alloy Steel load chain
- Limit switches fitted at top and bottom ends to prevent chain run-out
- 240V , 50Hz Single speed Motor 1200 Watts

Main Dimension of TECH Series Electric Chain Hoist



Model	TECH0103 / TECH0106	TECH0203 / TECH0206
A	245	245
B	245	245
C	158	124
D	142	176
E	350	350
F	600	610
H	520	630

Product Brochure For H250

Recommended Accessories

C147
Girder Trolley



H301
Round Slings



H300
Round Slings



H316
Flat Slings



H305
Round Slings



H318
Flat Slings



H308
Round Slings



H309
Round Slings



Product Brochure For H250

H307
 Round Sling



H306
 Round Sling



H320
 Flat Sling



H311
 Round Sling



H310
 Round Sling



H314
 Round Sling



H315
 Round Sling



H322
 Flat Sling



H312
 Round Sling



H324
 Flat Sling



H313
 Round Sling

