

Product Brochure For H254

Electric Chain Hoist - TECH0203

2 Tonne x 3 Metre Lift
 Dual Speed: 3m/min. Lift Speed



Special Order

Ex GST	Inc GST
\$2,352.00	\$2,587.20

ORDER CODE:	H254
MODEL:	TECH0203
Capacity (Tonne):	2
Lift Height (Metre):	3
Lift Speed (m/min):	3
Motor Power (W):	1200
Voltage (V):	240



Description

Thermal Prevention Device Fitted

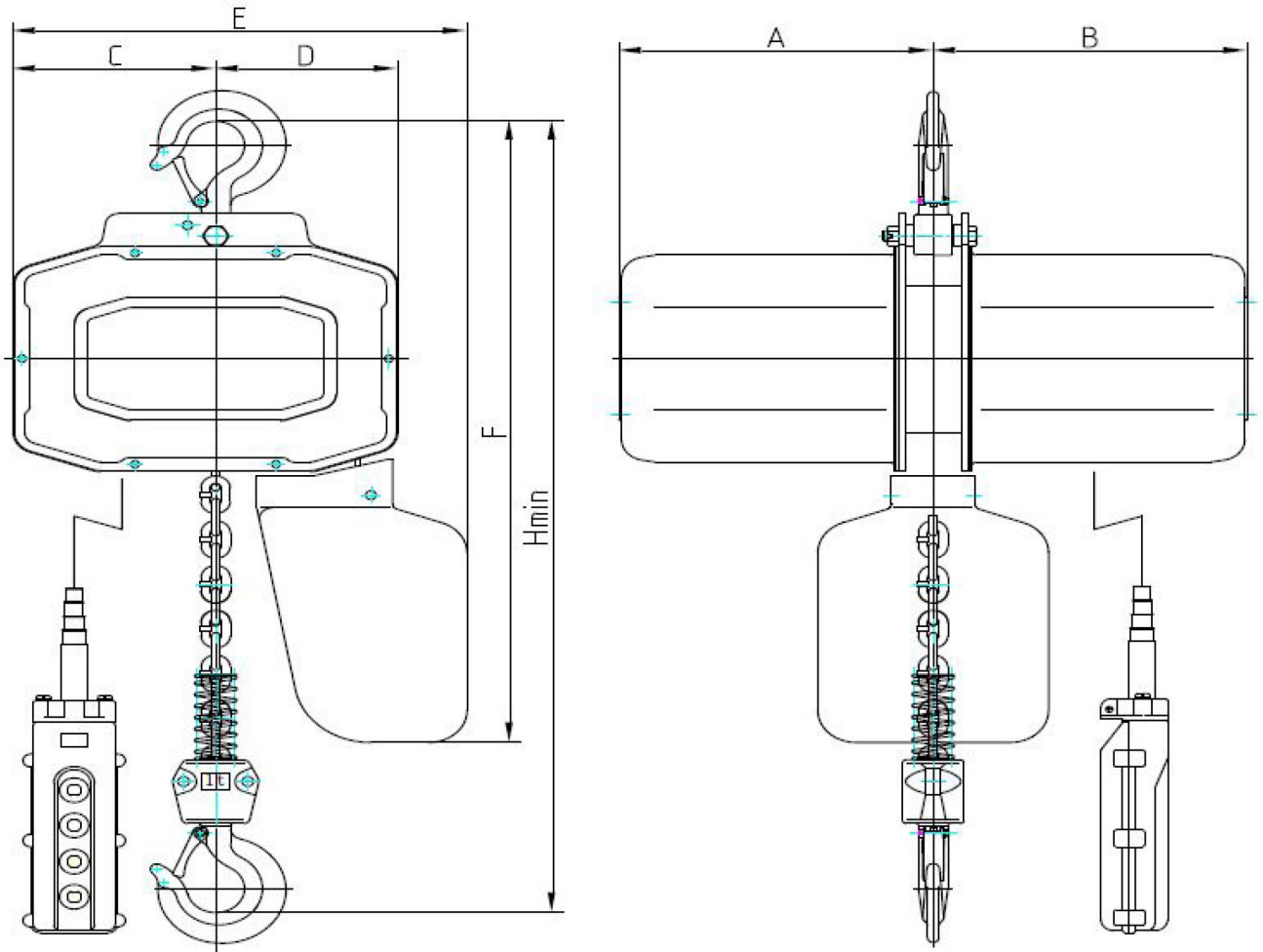
Features

- Light weight, compact design with high efficiency motor
- Pressed steel structure, high strength body
- High tensile alloy steel top & bottom hooks
- Grade 80 - 7.1mm Alloy Steel load chain
- Limit switches fitted at top and bottom ends to prevent chain run-out
- High quality chain 7.1mm diameter
- 240V , 50Hz Dual speed Motor 1200 Watts

Optional Accessories

- Available with customisable chain lengths and an optional wireless remote for added convenience (additional costs may apply)

Main Dimension of TECH Series Electric Chain Hoist



Model	TECH0103 / TECH0106	TECH0203 / TECH0206
A	245	245
B	245	245
C	158	124
D	142	176
E	350	350
F	600	610
H	520	630

Product Brochure For H254

Recommended Accessories

C148
 Girder Trolley



H311
 Round Slings



H310
 Round Slings



H314
 Round Slings



H315
 Round Slings



H312
 Round Slings



H313
 Round Slings



H322
 Flat Slings



Product Brochure For H254

H324
Flat Sling



H352
13mm 2T Grade S - Lifting Bow
Shackle

