

Product Brochure For H255

## Electric Chain Hoist - TECH0206

2 Tonne x 6 Metre Lift



**Special Order**

<b>Ex GST</b>	<b>Inc GST</b>
<b>\$2,745.45</b>	<b>\$3,020.00</b>

ORDER CODE:	H255
MODEL:	TECH0206
Capacity (Tonne):	2
Lift Height (Metre):	6
Lift Speed (m/min):	3
Motor Power (W):	1200
Voltage (V):	240



### Description

Thermal Prevention Device Fitted

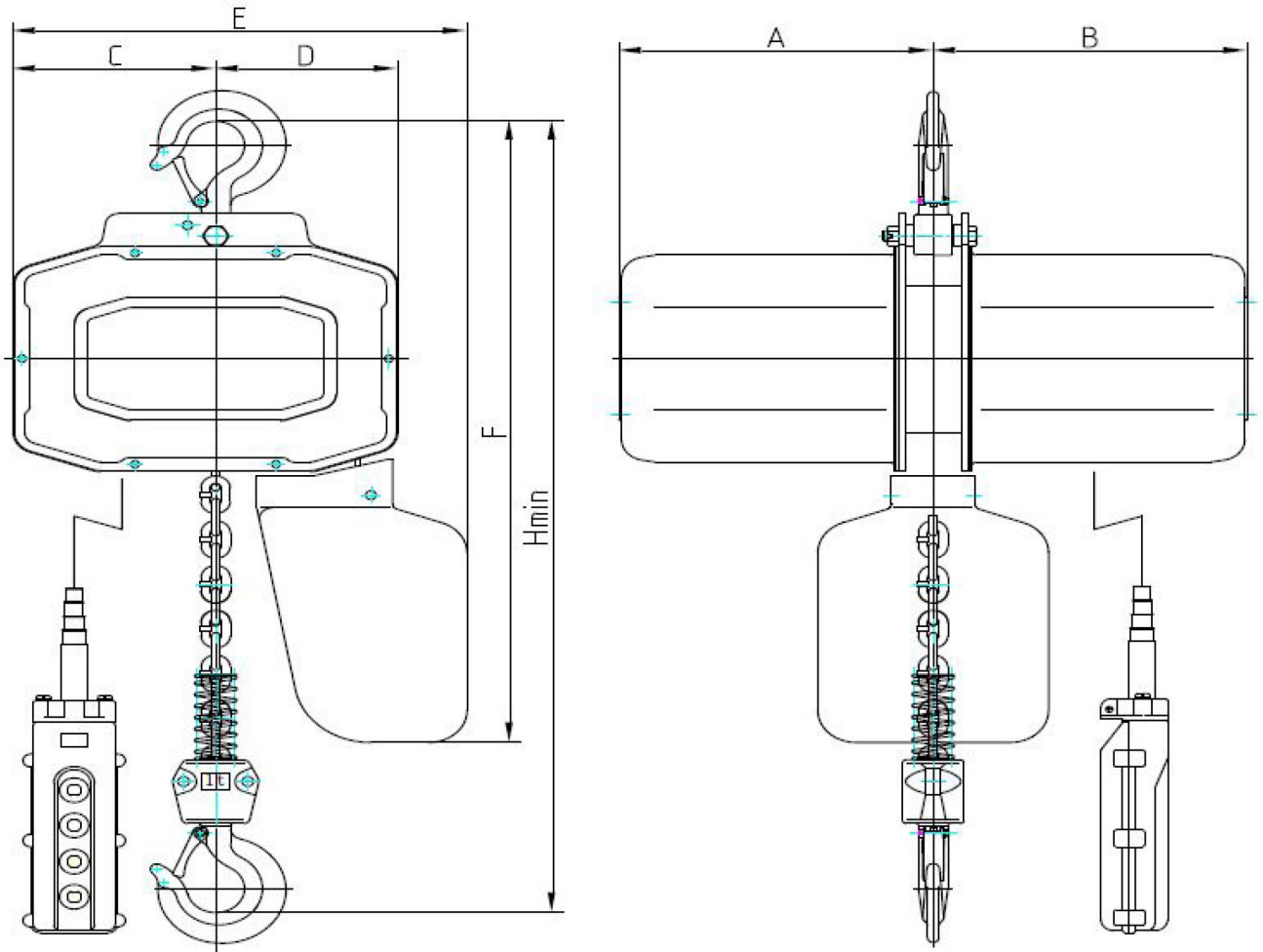
### Features

- Light weight, compact design with high efficiency motor
- Pressed steel structure, high strength body
- High tensile alloy steel top & bottom hooks
- Grade 80 - 7.1mm Alloy Steel load chain
- Limit switches fitted at top and bottom ends to prevent chain run-out
- 240V , 50Hz Dual speed Motor 1200 Watts

### Optional Accessories

- Available with customisable chain lengths and an optional wireless remote for added convenience (additional costs may apply)

## Main Dimension of TECH Series Electric Chain Hoist



Model	TECH0103 / TECH0106	TECH0203 / TECH0206
A	245	245
B	245	245
C	158	124
D	142	176
E	350	350
F	600	610
H	520	630

Product Brochure For H255

**Recommended Accessories**

**C148**  
Girder Trolley



**H352**  
13mm 2T Grade S - Lifting Bow Shackle



**H311**  
Round Sling



**H310**  
Round Sling



**H314**  
Round Sling



**H315**  
Round Sling



**H312**  
Round Sling



**H313**  
Round Sling



Product Brochure For H255

---

H322  
Flat Sling

H324  
Flat Sling

