

Product Brochure For H9021

## Aluminium Handwheel - Revolving Handle

Ø160mm

Aluminium centre supplied standard with 8mm bore

**Ex GST**  
**\$54.00**

**Inc GST**  
**\$59.40**



ORDER CODE:	H9021
Brand:	H9021
Wheel Diameter (mm):	HAFCO
Handle Type:	160
Handle Size (mm):	Revolving
Screw Length (mm):	80
Outside Thread:	~
Internal Thread:	~
Pack QTY:	~



### Description

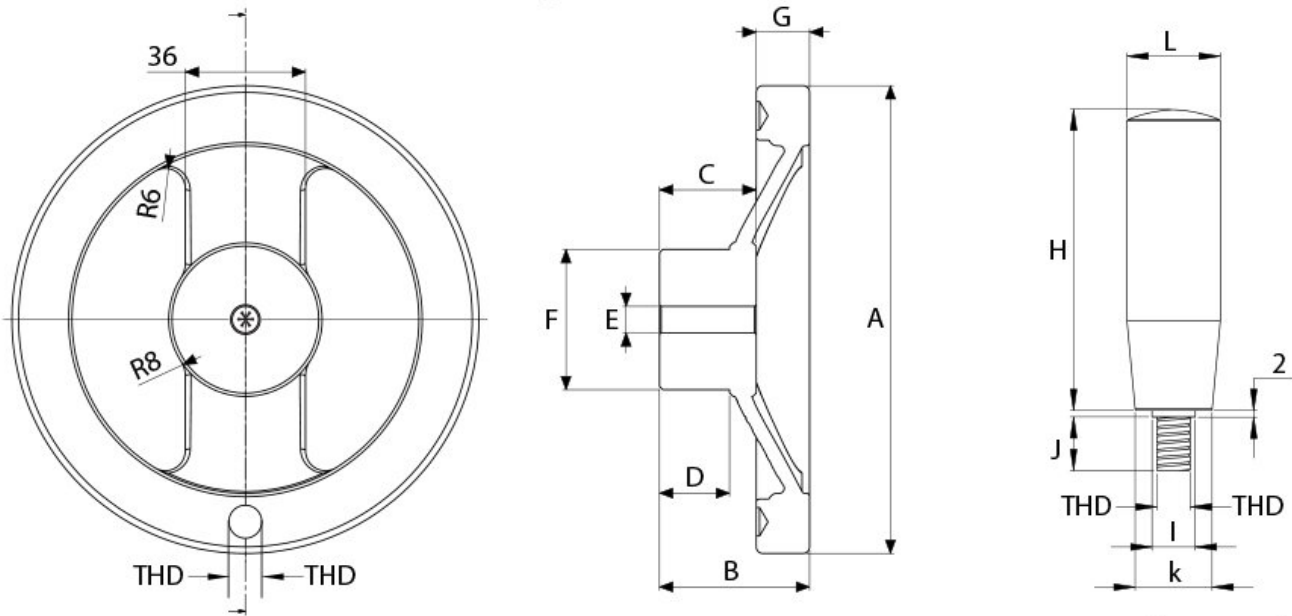
Ø160mm die-cast aluminium handwheel  
 80mm revolving type phenolic handle  
 Black coloured finish  
 Threaded grub screw to secure handwheel

### Features

- Revolving phenolic handle
- Threaded grub screw
- Aluminium centre supplied standard with 8mm bore that requires machining to suit your application.

Product Brochure For H9021

**Aluminium Hand Wheel - Revolving Handle**



All measurements in mm & Kgs

Order Code	Model No.	A	B	C	D	E	F	G	H	I	J	THD	K	L	Weight
H9018	AHW-100	100	34	23	15	8	38	14	65	12	12	M8	19	23	0.30
H9019	AHW-125	125	41	25	16	8	40	15	65	12	12	M8	19	23	0.40
H9021	AHW-160	160	46	30	19	8	42	18	80	13	16	M10	21	26	0.68
H9022	AHW-200	200	55	38	18	10	49	21	90	16	13	M10	23	28	1.06

\* Aluminium centre supplied standard that requires machining to suit your application

Product Brochure For H9021

---

**Specific Features**



Side View



Rear View



Bottom View



Grub Screw