

Product Brochure For H9022

Aluminium Handwheel - Revolving Handle

Ø200mm

Aluminium centre supplied standard with 10mm bore

Ex GST
\$68.00

Inc GST
\$74.80



ORDER CODE:	H9022
Brand:	H9022
Wheel Diameter (mm):	HAFCO
Handle Type:	200
Handle Size (mm):	Revolving
Screw Length (mm):	90
Outside Thread:	~
Internal Thread:	~
Pack QTY:	~



Description

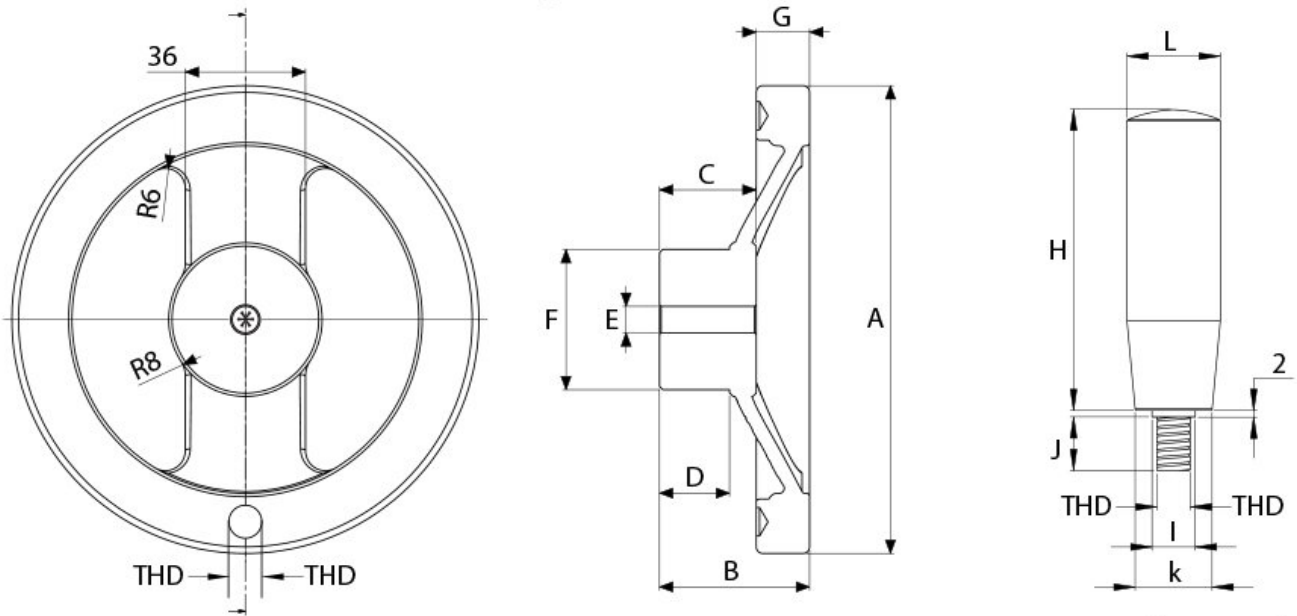
Ø200mm die-cast aluminium handwheel
 90mm revolving type phenolic handle
 Black coloured finish
 Threaded grub screw to secure handwheel

Features

- Revolving phenolic handle
- Threaded grub screw
- Aluminium centre supplied standard with 10mm bore that requires machining to suit your application.

Product Brochure For H9022

Aluminium Hand Wheel - Revolving Handle



All measurements in mm & Kgs

Order Code	Model No.	A	B	C	D	E	F	G	H	I	J	THD	K	L	Weight
H9018	AHW-100	100	34	23	15	8	38	14	65	12	12	M8	19	23	0.30
H9019	AHW-125	125	41	25	16	8	40	15	65	12	12	M8	19	23	0.40
H9021	AHW-160	160	46	30	19	8	42	18	80	13	16	M10	21	26	0.68
H9022	AHW-200	200	55	38	18	10	49	21	90	16	13	M10	23	28	1.06

* Aluminium centre supplied standard that requires machining to suit your application

Product Brochure For H9022

Specific Features



Grub Screw



Bottom View



Rear View



Side View