

Product Brochure For K8177

20" Thicknesser - Spiral Cutterhead - T-508S, 415V

Built to School Specifications
 NSW DOE Item 16B

Please Call



ORDER CODE:	K8177
NSW DOE Item No.:	16B
QLD DOE Item No.:	~
MODEL:	Schools / TAFE T-508S
Width Capacity (mm):	508
Height Capacity (mm):	200
HSS Cutter Blades:	~
Spiral Cutter Head - Carbide Insert:	Yes
Motor Power (kW / hp):	3.75 / 5
Voltage / Amperage (V / amp):	415
Nett Weight (kg):	420



Description

The Hafco T-508S Spiral Cutter Head Thicknesser is designed and engineered to meet the demands of even the toughest woodworking workshops!

Constructed from robust cast iron, its solid base, feed tables, and cutter head ensure stability and excellent vibration absorption. Exceptional power is provided by a 3.75kW / 5hp 415V induction motor, housed in the base, which drives the cutter block via a twin-pulley V-belt system. Solid cast iron extension tables are fitted at both the front and rear, enhancing timber support, while a digital height gauge ensures precise and accurate adjustments.

The standout feature of this machine is its spiral cutter head. Featuring four rows of tungsten carbide cutters, it delivers an almost flawless finish. The cutters are arranged to produce a super-clean shear cut, with each cutter having four edges, allowing you to rotate to a fresh edge when needed. Damaged cutters can be replaced individually, minimizing waste and reducing costs. Each edge lasts up to 10 times longer than traditional HSS blades, significantly reducing downtime. Furthermore, the cutter head requires no blade setting, saving time and guaranteeing consistent accuracy.

Features

- 508mm wide x 200mm high timber capacity
- Dynamically balanced 4 row spiral cutter head with 126 TCT indexing cutters
- Carbide inserts incorporate 4 cutting edges for reduced vibration
- Powerful 3.75kW, 5hp 415V induction motor
- Cutting speed 5000 rpm
- 2 speed (4.8 & 6m/min) feed rollers with pressure adjustment
- Ø125mm (5") dust port for efficient dust extraction
- Easy to read digital height gauge
- Table height locking mechanism secures all four pillars against unwanted movement.
- Heavy duty four post design with protective concertina covers

Safety Features

- Anti kick back fingers
- Cutter head cover with integrated tool-locking mechanism
- Additional guarding installed on both sides of the machine to ensure maximum operator safety.
- DOL starter switch with overload protection and raised red stop button
- Keyed isolation switch - PWD approved

Includes

Digital Height Gauge

Product Brochure For K8177

- 126 Carbide Inserts

Specific Features



Right View



Top View



Rear View



Heavy Duty 4 Post Design



Control Panel



Digital Height Gauge

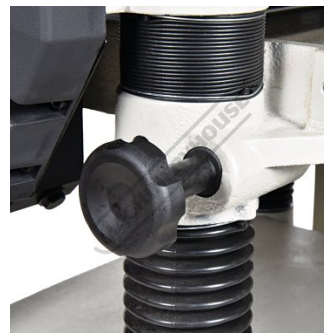


Table Lock Handle



Table Lock and Screws for Fine Adjustment



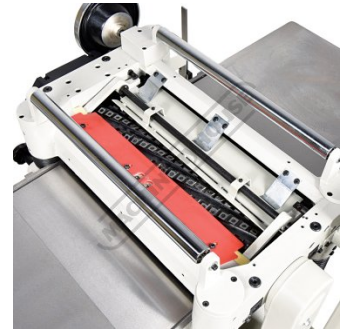
Height Adjustment Hand Wheel



2 Speed Feed Gearbox



Six Spiral Cutter Head with 130 Inserts



Six Spiral Cutter Head Top View



Six Spiral Cutter Head Top View Close Up



Six Spiral Cutter Head Changing Insert

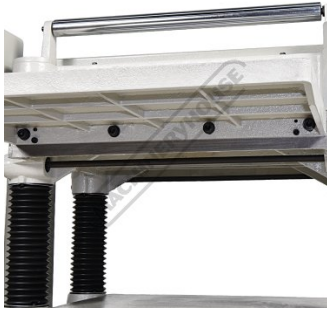


Adjustable Stop

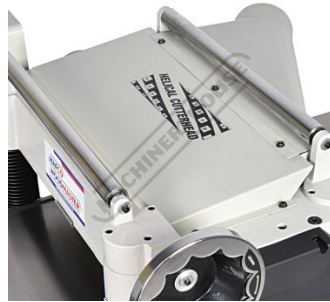


Cast Iron Infeed and Outfeed Tables

Product Brochure For K8177



Cast Iron Table Are Adjustable



Top Rollers for Returning Material



100mm Dust Outlet

Recommended Accessories

W416

Carbide Inserts for Spiral Cutter Heads on Thicknessers



W331

Industrial Dust Collector



W344

Wood Dust Accessory Kit



W334

Dust Hose Reducer



W333

Dust Hose Reducer



W335

Blast Gate



W336

Dust Hose Elbow - 90 Degree



W337

Dust Hose Y Adaptor



Product Brochure For K8177

W338

Dust Hose Universal Dust Hood



W339

Dust Hose Floor Sweeper Attachment



W340

Dust Hose Clamp



W341

Dust Hose Clamp

