

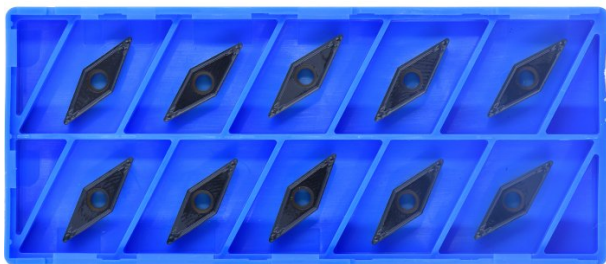
Product Brochure For L0519

## 35° Rhombic Positive Turning Insert - VCMT110304HQ

Grade CA125P - General Purpose Steel  
 10 Inserts Per Pack

**On Sale**

Ex GST	Inc GST
<del>\$150.00</del>	<del>\$165.00</del>
<b>\$126.36</b>	<b>\$139.00</b>



ORDER CODE:	L0519
MODEL:	VCMT110304HQ
Grade:	CA125P
Application:	General Purpose Steel
Pieces in Set (No.):	10
I.C. (mm):	6.35
Thickness (S) (mm):	3.18
Hole Diameter Ø (D1) (mm):	2.75
Corner Radius (RE) (mm):	0.4
Relief Angle (Deg):	7°
d (mm):	~
Insert shape:	~
Use Classification:	~
Clearance Angle:	~

**KYOCERA**  
 JAPANESE CARBIDE



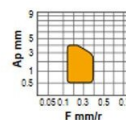
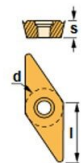
### Description

CA125P Grade CVD Coated Carbide for Steel  
 Suitable for continuous to heavy interrupted machining, these inserts are designed for general-purpose applications.

HQ Chipbreaker  
 General purpose chipbreaker for medium machining.

### Features

- Japanese Made
- CVD Coated Carbide with Thin Ultra-fine TiCN Coating
- 10 Inserts Per Pack



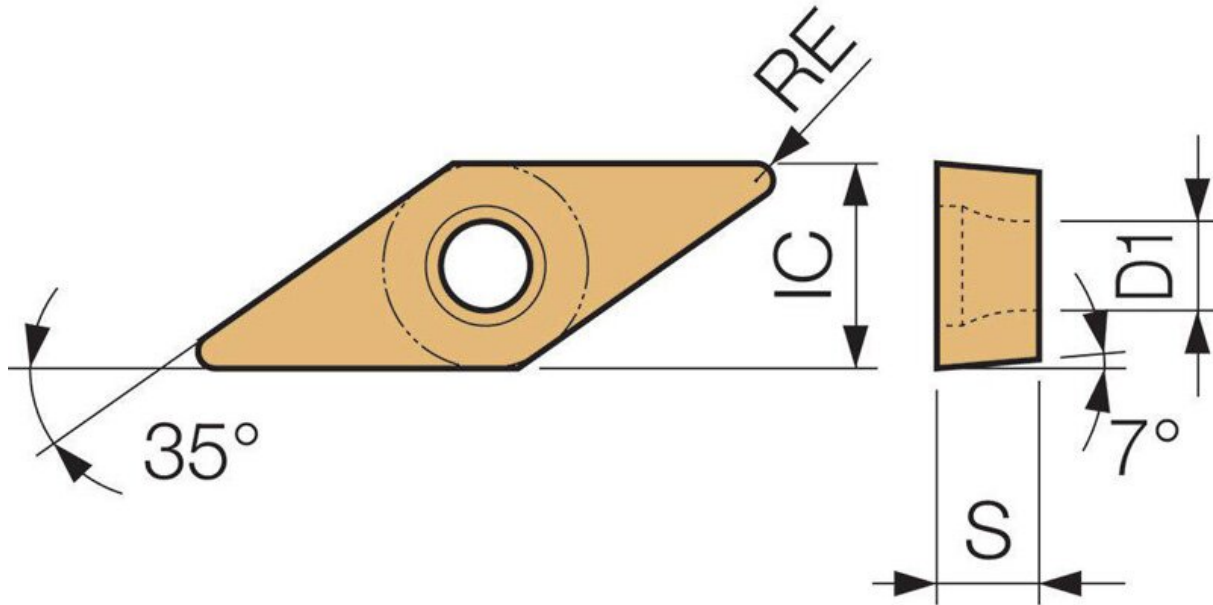
l  
**11.0 mm**

d  
**6.35 mm**

s  
**3.18 mm**

r  
**0.4 mm**

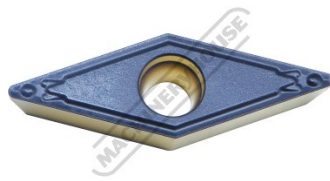
Product Brochure For L0519



**Specific Features**



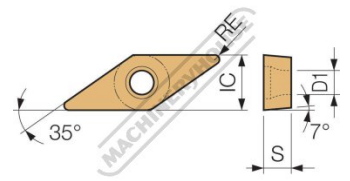
Side View



Top View



Bottom View



Diagram

Product Brochure For L0519

---

**Recommended Accessories**

**L4058**

93° Rhombic / Positive - Right  
Hand Turning Tool Holder

**L4060**

93° Rhombic / Positive - Right  
Hand Turning Tool Holder

