

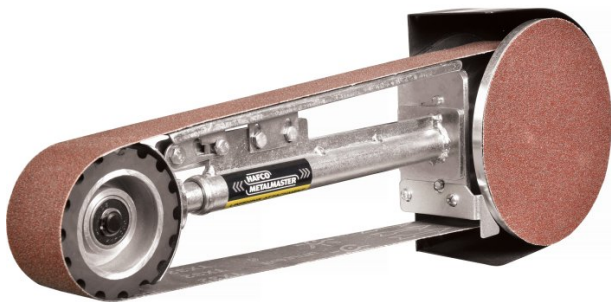
Product Brochure For L0921

Belt & Disc Linishing Attachment - HLA-1220

Suits most 200mm Bench Grinders
 50 x 1220mm Linishing Belt & 178mm Sanding Disc

On Sale

Ex GST	Inc GST
\$180.00	\$198.00
\$154.55	\$170.00



ORDER CODE:	L0921
MODEL:	~
Type:	~
Table Size (mm):	~
Belt Size (mm):	50 x 1220
Disc Diameter (mm / Inch):	178
Suits:	200mm Grinders



Description

This linishing attachment is perfect for a variety of finishing tasks, including tool sharpening, edge sanding, weld smoothing, deburring, and polishing. Suitable for use on materials such as wood, plastics, metals, and ceramics, this attachment is designed to fit most 200mm bench grinders with screw-mounted guards.

Features

- 50 x 1220mm linishing attachment with Ø178mm sanding disc
- Suits most 200mm Bench grinders (min 3/4 HP)
- Quick & easy adjustable belt tracking system
- Toolless belt change system, change belts in a matter of seconds
- Grind, sand, shape, polish or refinish nearly any material
- Used on many materials such as wood, plastics, metals and ceramics

Includes

- 50 x 1220mm linishing belt
- Ø178mm sanding disc

Product Brochure For L0921

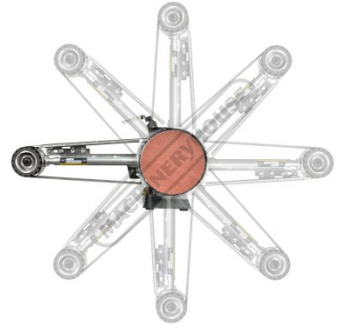
Specific Features



Fitted To Optional Bench Grinder G142 Adjustable Belt Tensioner



Large Work Surface-Quick Action Belt Change 360 Degree Head Rotation



Recommended Accessories

G142
 Industrial Bench Grinder

A8030
 40G Aluminium Oxide Linishing
 Belt Pack

A8031
 60G Aluminium Oxide Linishing
 Belt Pack

A8032
 80G Aluminium Oxide Linishing
 Belt Pack



A8033
 100G Aluminium Oxide Linishing
 Belt Pack

A8034
 120G Aluminium Oxide Linishing
 Belt Pack

A8037
 40G Zirconia Linishing Belt Pack

A8038
 60G Zirconia Linishing Belt Pack



Product Brochure For L0921

A8039
 80G Zirconia Linishing Belt Pack

A8040
 100G Zirconia Linishing Belt Pack

A8041
 120G Zirconia Linishing Belt Pack

A48200
 Scotch Belt Linishing Belt - Coarse Brown



A48201
 Scotch Belt Linishing Belt - Medium Red

A48202
 Scotch Belt Linishing Belt - Fine Blue

A48203
 Scotch Belt Linishing Belt - Super Fine Grey

A0700
 178mm (7") Hook & Loop Backing Disc



A5332
 60G x 178mm (7") Aluminium Oxide Sanding Disc Pack

A5333
 80G x 178mm (7") Aluminium Oxide Sanding Disc Pack

A5334
 100G x 178mm (7") Aluminium Oxide Sanding Disc Pack

A5335
 120G x 178mm (7") Aluminium Oxide Sanding Disc Pack



Product Brochure For L0921

L086

Multitool Tilting Table & Mitre Guide



L083

Multitool Chisel Sharpening Jig



G183

Abrasive Belt & Disc Cleaning Stick



L085A

Multitool Contact Wheel

