

Product Brochure For L201D

Centre Lathe - AL-1324

Ø330 x 600mm Turning Capacity - Ø40mm Spindle Bore
 Includes Digital Readout System

Ex GST **Inc GST**
\$13,750.00 **\$15,125.00**



ORDER CODE:	L201D
MODEL:	AL-1324
Swing Over Bed (mm):	330
Distance Between Centres (mm):	600
Spindle Bore (mm):	40
Swing In Gap (mm):	~
Swing Over Cross-slide (mm):	200
Digital Readout System Fitted:	Yes
Quick Change Toolpost Fitted:	Optional
Leadscrew Covers Fitted:	Yes
Taper Turning Attachment:	Optional
Coolant System:	Yes
Tool Height To Suit (mm):	16
Centre Height (mm):	165
Spindle Nose Size or Type:	D1-4 Camlock
Bed Width (mm):	190
Headstock Spindle Taper (MT):	5
Tailstock Taper (MT):	3
Cross Slide Travel (mm):	175
Compound Slide Travel (mm):	100
Leadscrew Type:	Metric
Metric Cross Feed (X-Axis) (mm/rev):	0.034 - 0.468
Imperial Cross Feed (X-Axis) (inch/rev):	~
Metric Longitudinal Feed (Z-Axis) (mm/rev):	0.068 - 0.936
Imperial Longitudinal Feed (Z-Axis) (inch/rev):	~
Metric Thread Steps & Pitch (No. / mm):	30(0.4 - 7.0)
Imperial Thread Steps & TPI (No. / TPI):	32(4 - 56)
3 Jaw Chuck Diameter (mm):	160
4 Jaw Chuck Diameter (mm):	200
Spindle Steps / Speeds (No. / rpm):	18 (50 - 2000)
Motor Power (kW / hp):	2.25 / 3
Voltage / Amperage (V / amp):	415
Nett Weight (kg):	580



Description

Manufactured in Taiwan

Features

- Tool room quality precision lathe, Made in Taiwan and have been sold for over 20 years
 - 2-Axis digital readout system fitted
 - Gear drive headstock for quick change of spindle speeds
 - Nachi Japanese made bearings supporting headstock spindle
 - Stand increasing rigidity and reducing vibration
 - Precision 'V'-beds are hardened and ground, incorporating a rigid webbed casting
 - Foot operated spindle brake with safety cut out switch
 - Slide out front swarf tray for easy cleaning
 - Chuck guard fitted fitted with micro switch
 - Leadscrew cover ensures swarf not reaching clasp nut
 - Change gears for metric and imperial thread cutting
 - Oil sight glass for head stock and gearbox
 - Adjustable taper roller bearings support the spindle
 - Overload clutch mechanism on auto power feed
 - Overload protection on drive motor and coolant system
- 3HP/415V motor, 18-speed (50 - 2000rpm)

Product Brochure For L201D

- Enclosed quick action gearbox for thread cutting and auto feeding
- Powered longitudinal and cross feeds
- D1-4 camlock spindle for quick chuck changes and safe reverse-direction turning. ISO standard
- Dual calibrated dials
- Coolant system with flexible hose
- Slide out swarf tray

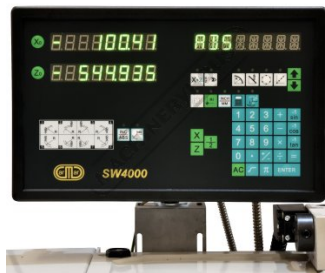
Includes

- 2-Axis digital readout system fitted
- 3-jaw chuck with reverse jaws
- 4-jaw chuck
- Faceplate
- Fixed Steady
- Travelling steady
- Chuck guard
- Concertina leadscrew covers
- Slide out front swarf tray
- Dead centre
- Thread chasing dial
- Foot brake
- Coolant system
- Rear splash guard
- Instruction booklet

Specific Features



Left View



2 Axis Digital Readout



Chuck Guard with Safety Micro



Safety Chuck Guard Up



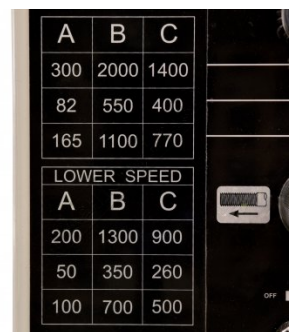
Headstock



Spindle Speed Levers



Enclosed Quick Change Gearbox



Spindle Speed Chart

Product Brochure For L201D

PITCH		MM	
U	T	0.5	
V	S	0.75	
W	R	1.0	
X	Y	1.25	
Z	Z	1.5	
AD		32 36 40 45 50 55 60 67.5	
BD		16 18 20 22.5 25 28 31.5	
AC		0.8 0.9 1.0 1.2 1.25 1.4 1.5 1.75	
BC		0.4 0.5 0.5 0.8 0.7 0.75	
TPI		INCH	
U	T	1	
V	S	1.33	
W	R	1.66	
X	Y	2	
Z	Z	2.5	
AD		4 4.5 5 5.5 6 6.5 7	
BD		8 9 10 11 12 13 14	
AC		16 18 19 20 22 24 26 28	
BC		32 36 38 40 44 45 52 56	
FEED		MM	
X	Y	Z	
PAD	0.54	0.752	0.936
PBD	0.272	0.376	0.468
PAC	0.138	0.188	0.234
PBC	0.068	0.094	0.117

Thread-Feed Chart



Hi Low Switch



Foot Brake



Sliding Drip Tray for Swarf Removal



3 Jaw Chuck



Fixed and Travelling Steadies



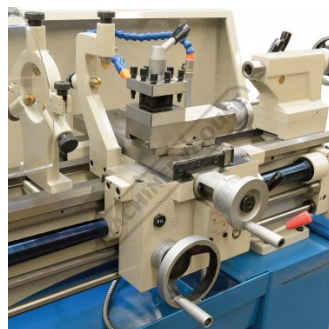
Leadscrew Cover Front



Leadscrew Cover Rear



Flexible Coolant Hose



Saddle Left View



Saddle Front View



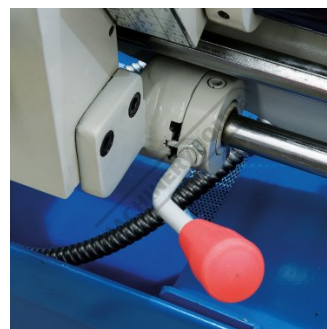
Saddle Right View



Toolpost



Thread Chasing Dial



Forward Reverse Spindle Lever



Feed Levers

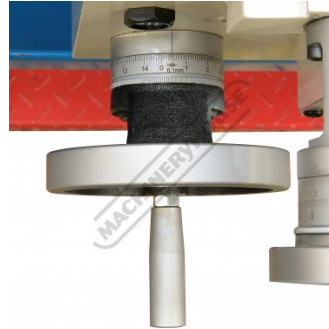
Product Brochure For L201D



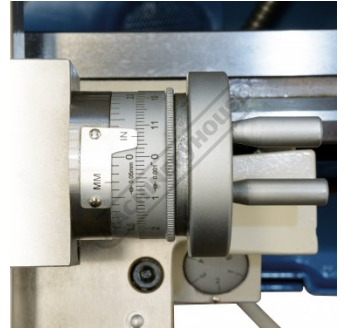
Swivel Compound Slide



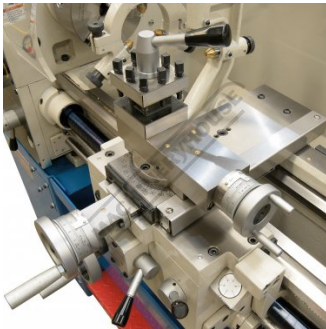
Cross Slide Hand Wheel



Saddle Hand Wheel



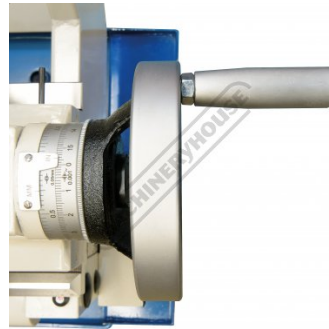
Compound Slide Hand Wheel



Compound Slide



Tailstock



Tailstock Hand Wheel



Tailstock Quill Graduations



Tailstock Horizontal Adjustment



Hardened and Ground Bedways



Bed Drip tray



Toolbox

Product Brochure For L201D

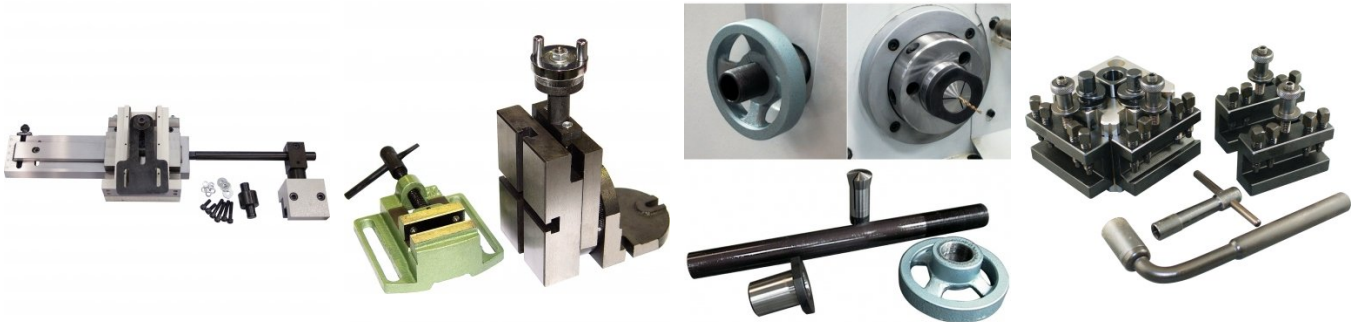
Recommended Accessories

L258
Taper Turning Attachment

L277
Vertical Mill Slide

C980
5C Collet Lathe Adaptor

L295
Quick Change Toolpost

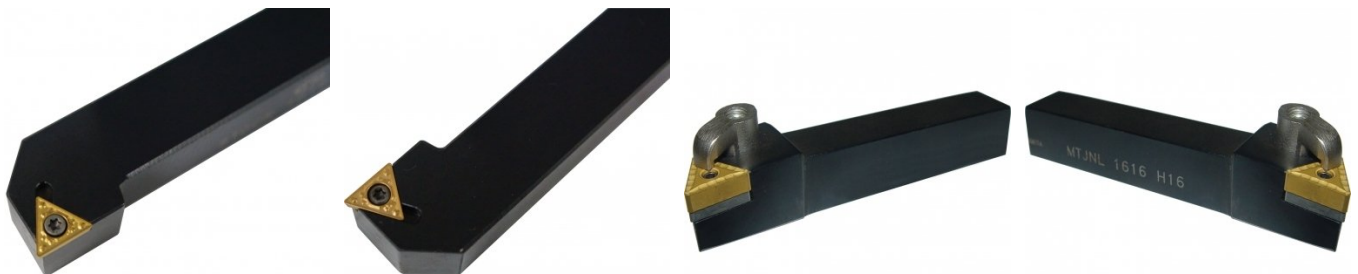


L017
Right Hand Turning Tool Holder

L018
Left Hand Turning Tool Holder

L044
Right Hand Turning Tool Holder

L045
Left Hand Turning Tool Holder



Product Brochure For L201D

L0077
 Lathe Turning Tool Kit - 7 piece
 Insert Type



L451
 Lathe Turning Tool Kit - 3 piece
 Insert Type



L457
 Lathe Threading Tool Kit - Insert
 Type



L465
 Professional Lathe Parting Tool
 Kit - Insert Type



C052
 3MT Live Centre



C045
 3MT Pipe Centre - 70° Cone



L076
 Knurling Tool Holder Kit



C290
 Heavy Duty Drill Chuck - Keyed
 Type



C294
 Industrial Drill Chuck - Keyless
 Type



D443A
 3MT x JT3 Drill Chuck Arbor



D126
 Metric 135° Precision HSS Drill
 Set - 170 Pieces



D1282
 Imperial 135° Precision HSS
 Drill Set - 29 Piece



Product Brochure For L201D

S090A
 Soluble Metal Cutting Fluid - 1 Litre



S090
 Soluble Metal Cutting Fluid - 5 Litre



S076
 Cutting Tool Lubricant Fluid - 500ml



S077
 Drilling, Tapping & Cutting Tool Lubricant Spray - 400g



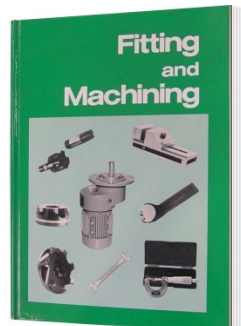
S075
 Cutting Tool Lubricant Paste - 200g



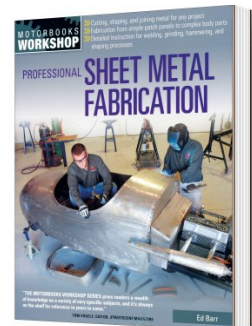
S074
 Cutting Tool Lubricant Paste - 500g



L341
 Fitting and Machining Technical Book



L3455
 Professional Sheet Metal Fabrication Book



L300
 Magnetic Swarf Remover



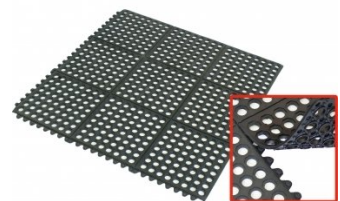
M9991
 Magnetic Floor Sweeper



M800
 Rubber Mat - Anti-Fatigue



M805
 Rubber Mat - Anti-Fatigue



Product Brochure For L201D

O000

SpillFix Universal Organic Absorbent



O043

Rust & Corrosion Preventive



O042

General Purpose Lubricant & Corrosion Inhibitor



O040

Rust & Corrosion Preventive



O044

Rust & Corrosion Preventive

