

Product Brochure For L291

Quick Change Toolpost - QA-120

125mm Centre Height

On Sale

Ex GST

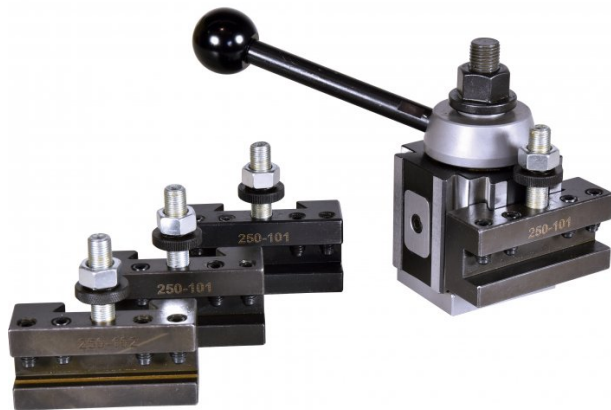
Inc GST

\$160.00

\$176.00

\$135.45

\$149.00



ORDER CODE:	L291
MODEL:	QA-120
Lathe Centre Height (mm):	115 - 125
Lathe Swing (mm):	230 - 250
A (mm):	19
B (mm):	11
C (mm):	52
D (mm):	63.5
E (mm):	36.512
H (mm):	23
h (mm):	57.15
S (mm):	M14 x 1.5
T (mm):	12
Y (mm):	95.25
Number of Sides (No.):	2
Number of Holders (No.):	4
Nett Weight (kg):	3.6



Description

Manufactured from carbonised and hardened steel.

Features

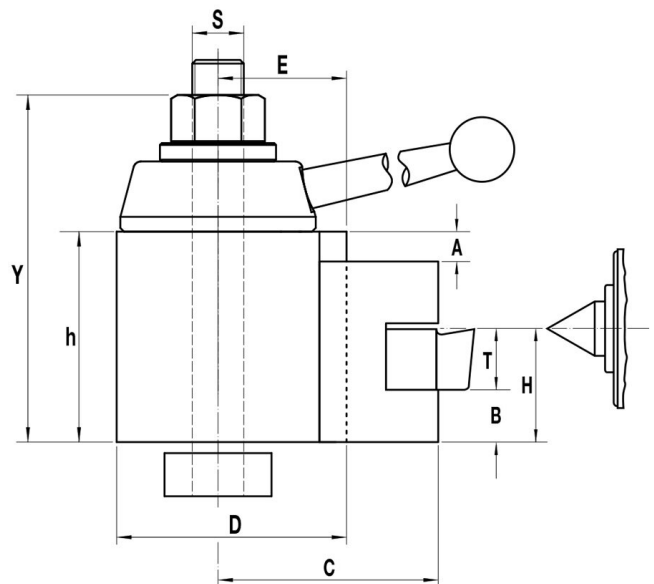
- All bearing surfaces are precision ground to ensure rigidity
- Handy lathe accessory for tool rooms and general engineering shops
- Ease of operation cuts set-up time by 90%
- No shims are required to adjust tools to correct centre height
- Easily fitted to most centre lathes
- Please Note: Some machining required to suit your lathe

Includes

- 1 x "V" holder for boring bar 250-102
- 3 x square toolholders 250-101

Optional Accessories

- Holders - L291A, L291B, L291C

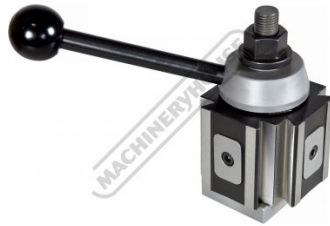


Product Brochure For L291

Specific Features



Holder Profile



Toolpost

Recommended Accessories

L291A

Quick Change Toolpost Holder - Std



L291B

Quick Change Toolpost Holder - Parting



L291C

Quick Change Toolpost Holder - Knurling



L149

Bench Lathe



L689

Opti-Turn Bench Lathe



L0085

Carbide Turning Tool Set - 11 piece



L072

HSS Turning Tool Set - 4 piece



L0055

Lathe Turning Tool Kit - 5 piece Insert Type



Product Brochure For L291

L0099
 Lathe Turning Tool Kit - 7 piece
 Insert Type



L450
 Lathe Turning Tool Kit - 3 piece
 Insert Type



L456
 Lathe Threading Tool Kit - Insert
 Type



L015
 Right Hand Turning Tool Holder



L016
 Left Hand Turning Tool Holder



L031
 External Threading



L006A
 Boring Bar Set - HSS



L431
 Boring Bar Set - Carbide Insert



L020
 Right Hand Boring Bar



L0201
 Right Hand Boring Bar



L021
 Right Hand Boring Bar



L0100
 Parting Kit 12mm



Product Brochure For L291

L464

Professional Lathe Parting Tool
Kit - Insert Type

