

Product Brochure For L295

## Quick Change Toolpost - QA-150

150 - 170mm Lathe Centre Height



**On Sale**

<b>Ex GST</b>	<b>Inc GST</b>
<b>\$590.00</b>	<b>\$649.00</b>
<b>\$520.00</b>	<b>\$572.00</b>

ORDER CODE:	L295
MODEL:	QA-150
Lathe Centre Height (mm):	150 - 170
Lathe Swing (mm):	300 - 340
A (mm):	15
B (mm):	20
C (mm):	60
D (mm):	74
E (mm):	~
H (mm):	28 - 41
h (mm):	60
S (mm):	24
T (mm):	16
Y (mm):	~
Number of Sides (No.):	2
Number of Holders (No.):	4
Nett Weight (kg):	6.2



### Description

Manufactured in Taiwan

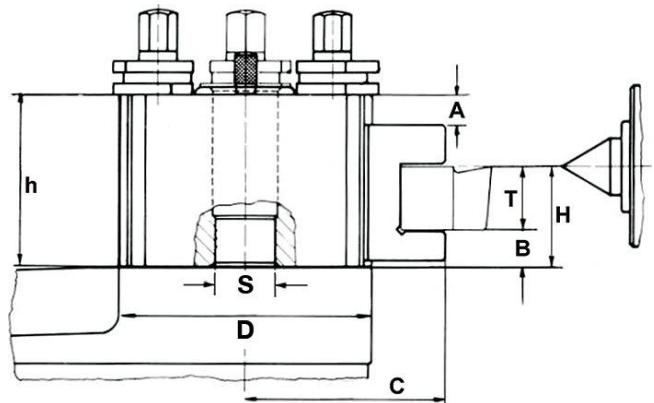
Manufactured from carbonized and hardened steel.  
 Italian design style.

### Features

- All bearing surfaces are precision ground to ensure rigidity
- Handy lathe accessory for tool rooms and general engineering shops
- Ease of operation cuts set-up time by 90%
- No shims are required to adjust tools to correct centre height
- Easily fitted to most centre lathes
- Please Note: Some machining required to suit your lathe

### Includes

- 3 x Square Tool Holders - for 16mm tools
- 1 x Vee Tool Holders - for boring bars



Product Brochure For L295

**Recommended Accessories**

L295A

Quick Change Toolpost Holder - Std



L290

Toolpost T-Handle



L237

Centre Lathe



L237D

Centre Lathe



L201

Centre Lathe



L201D

Centre Lathe



L240D

Centre Lathe



L242D

Centre Lathe

