

Product Brochure For L296

## Quick Change Toolpost - Model B

230mm Lathe Centre Height



**On Sale**

<b>Ex GST</b>	<b>Inc GST</b>
<b>\$650.00</b>	<b>\$715.00</b>
<b>\$560.00</b>	<b>\$616.00</b>

ORDER CODE:	L296
MODEL:	B
Lathe Centre Height (mm):	230
Lathe Swing (mm):	460
A (mm):	18
B (mm):	15
C (mm):	100
D (mm):	125
E (mm):	~
H (mm):	47 - 65
h (mm):	85
S (mm):	30
T (mm):	32
Y (mm):	~
Number of Sides (No.):	3
Number of Holders (No.):	5
Nett Weight (kg):	22



### Description

Manufactured from carbonized and hardened steel.  
 Italian design style.

### Features

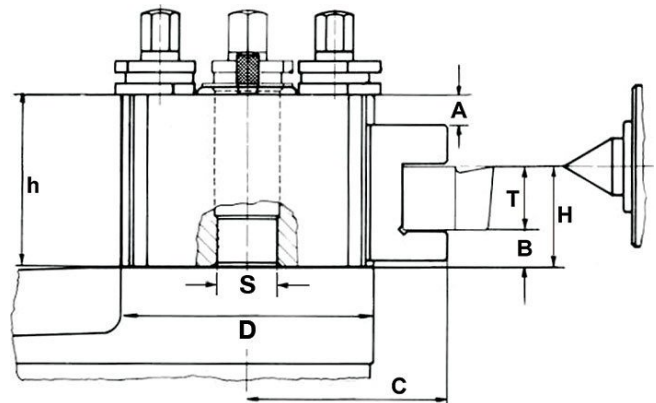
- All bearing surfaces are precision ground to ensure rigidity
- Handy lathe accessory for tool rooms and general engineering shops
- Ease of operation cuts set-up time by 90%
- No shims are required to adjust tools to correct centre height
- Easily fitted to most centre lathes
- Please Note: Some machining required to suit your lathe

### Includes

- 4 x Square Tool Holders - for 32mm tools
- 1 x Vee Tool Holders - for boring bars

### Optional Accessories

- Holders - L296A



Product Brochure For L296

---

**Recommended Accessories**

L296A

Quick Change Toolpost Holder -  
Std



L2901

Toolpost T-Handle



L2906

Toolpost Spanner



L634D

Centre Lathe

