

Product Brochure For M081

Dial Indicator - Metric - 513-517T

0 - 0.8mm Travel



Mitutoyo



Description

Mitutoyo dial indicator

Features

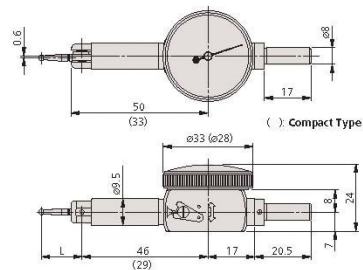
- Jewelled bearings assure higher sensitivity and accuracy
- Reversible measuring direction
- Fully adjustable bezel/dial face
- Two holding bars are supplied
- Contact point is adjustable within 220°
- Bezel is sealed with an O-ring to keep out water/oil

On Sale

Ex GST	Inc GST
\$220.00	\$242.00
\$200.00	\$220.00

ORDER CODE:	M081
Range:	0 - 0.8mm
Graduations:	0.01mm
A (mm):	~
B (mm):	~
B1 (mm):	~
C (mm):	~
D (mm):	~
d (mm):	~
E (mm):	~
F (mm):	~
G (mm):	~
H (mm):	~
I (mm):	~
J:	~
K (mm):	~
L (mm):	~
L1 (mm):	~
Ø (mm):	~

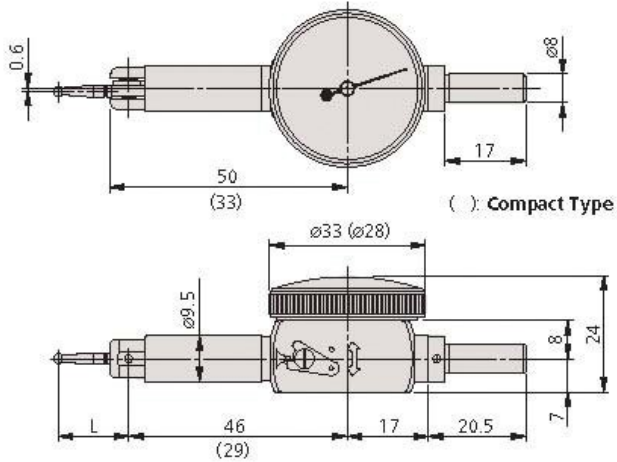
unit: mm



Mass: 45g (40g)
 () Compact Type

Product Brochure For M081

unit: mm



Mass: 45g (40g)
 () : Compact Type

Specific Features



Parts

Product Brochure For M081

Recommended Accessories

M050

Magnetic Base - Standard



M051

Magnetic Base - Deluxe - One Lock



Q430

Magnetic Base - Small



Q435

Magnetic Base - Large



Q4351

Magnetic Base - Large



Q436

Magnetic Base - One Lock (Large)

