

Product Brochure For M170

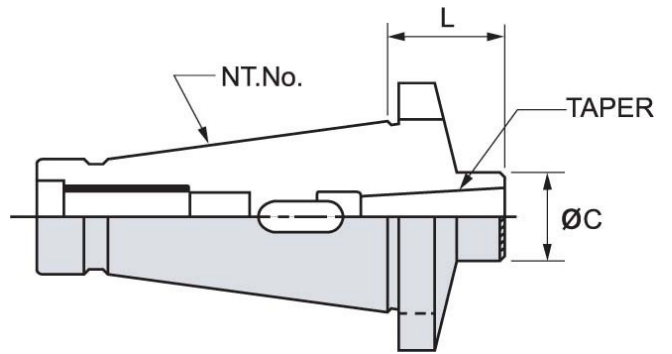
R8-MT3-50 Milling Adaptor

**On Sale**

<b>Ex GST</b>	<b>Inc GST</b>
<del>\$45.00</del>	<del>\$49.50</del>
<b>\$39.09</b>	<b>\$43.00</b>



ORDER CODE:	M170
MODEL:	R8-MT3-50
Outer Taper:	R8
Inside Taper:	MT3
Drawbar Thread (mm / inch):	7/16"
L (mm):	50
C (mm):	40
Nett Weight (kg):	0.30



**Description**

Precision ground and hardened.  
 Morse taper adaptors are used to adapt a Morse taper tool or cutter to any spindle taper