

Product Brochure For M171

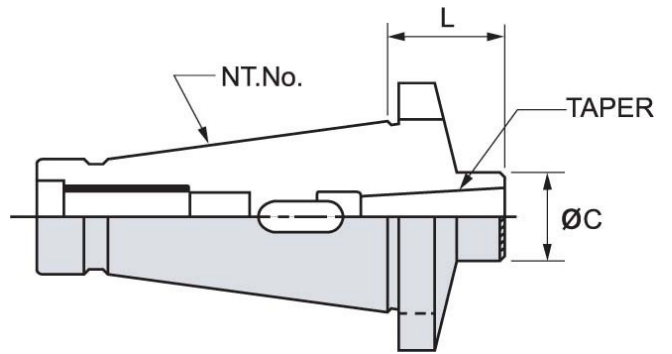
NT40-MT3-70 Milling Adaptor

**On Sale**

<b>Ex GST</b>	<b>Inc GST</b>
<del>\$80.00</del>	<del>\$88.00</del>
<b>\$68.18</b>	<b>\$75.00</b>



ORDER CODE:	M171
MODEL:	NT40-MT3-70
Outer Taper:	NT40
Inside Taper:	MT3
Drawbar Thread (mm / inch):	16mm
L (mm):	70
C (mm):	40
Nett Weight (kg):	1.10



**Description**

Precision ground and hardened.  
 Morse taper adaptors are used to adapt a Morse taper tool or cutter to any spindle taper