

Product Brochure For M173

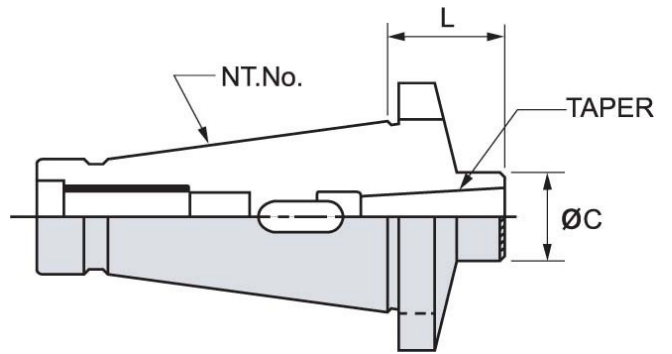
NT50-NT40 Milling Adaptor



On Sale

Ex GST	Inc GST
\$170.00	\$187.00
\$144.55	\$159.00

ORDER CODE:	M173
MODEL:	NT50-NT40
Outer Taper:	NT50
Inside Taper:	NT40
Drawbar Thread (mm / inch):	24mm
L (mm):	23
C (mm):	~
Nett Weight (kg):	2.00



Description

Precision reducing adaptor for NT50 to NT40

Features

- External and Internal taper precision ground