

Product Brochure For M183

## Precision Boring Head Kit - BC-3K

Ø75mm Head

Requires Spindle Arbor To Suit Machine

**On Sale**

Ex GST

Inc GST

~~\$220.00~~

~~\$242.00~~

**\$190.00**

**\$209.00**



ORDER CODE:	M183
MODEL:	BC-3K
Type:	Boring
D (mm):	75
H (mm):	80
d (lowercase) (mm):	18
W (mm):	~
h (lowercase) (mm):	~
Cross Hole Diameter (mm):	~
Centre Distance Between Holes (mm):	23
Micro Adjustment Travel (mm):	25
Nett Weight (kg):	3.6



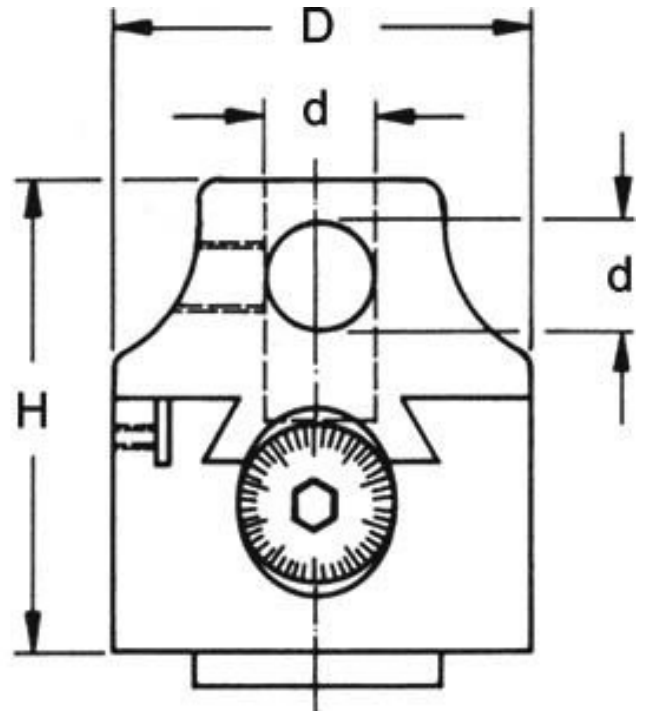
### Description

This precision boring head features two vertical holes and one cross hole for securely holding boring bars. It allows precise adjustment of the boring bar at a right angle to the spindle axis, enabling accurate positioning for boring holes with diameters ranging from 10mm to 220mm. The hardened and ground direct-reading adjustment screw features a satin chrome dial face, providing 0.01mm precise adjustments with excellent visibility. Perfect for professionals seeking reliability in metalworking, this boring head delivers exceptional results.

Note: Arbor sold separately.

### Features

- Wide range of boring diameters and depths
- Boring diameter 10mm - 220mm
- Calibrated micro adjusting screw via a hexagon key.
- 1-1/2" x 18TPI threaded body to mount optional arbors
- Accepts 18mm diameter boring bars
- Includes boring bars and aluminium foam padded case for protection



Product Brochure For M183

**Specific Features**



Top View in Case



Case Shown Open

**Recommended Accessories**

**M181**  
 Boring Bar Set - 12 piece



**M181A**  
 Boring Bar Set - 4 piece



**M192**  
 Boring Head Shank



**M190**  
 Boring Head Shank



**M193**  
 Boring Head Shank



**M194**  
 Boring Head Shank

