

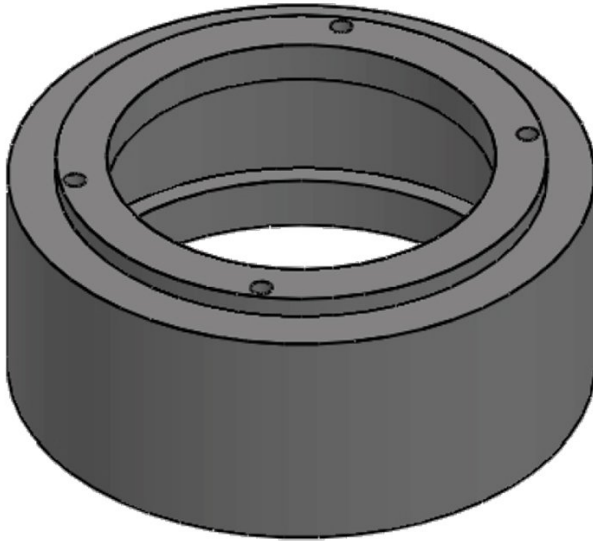
Product Brochure For M224

## Riser Spacer - Suits Turret Milling Machines - MRB-150M

M12 x 1.75mm Metric Thread  
 152mm (6") Spacer Height Gain

**Ex GST**  
**\$790.00**

**Inc GST**  
**\$869.00**



ORDER CODE:	M224
MODEL:	MRB-150M
Spacer Height Gain (mm):	152
Locating Recess & Spigot Ø (mm):	318
Bolt Thread Size (Type):	M12 x 1.75mm Metric



### Description

152mm Riser Block Spacer Suits The Following Models:

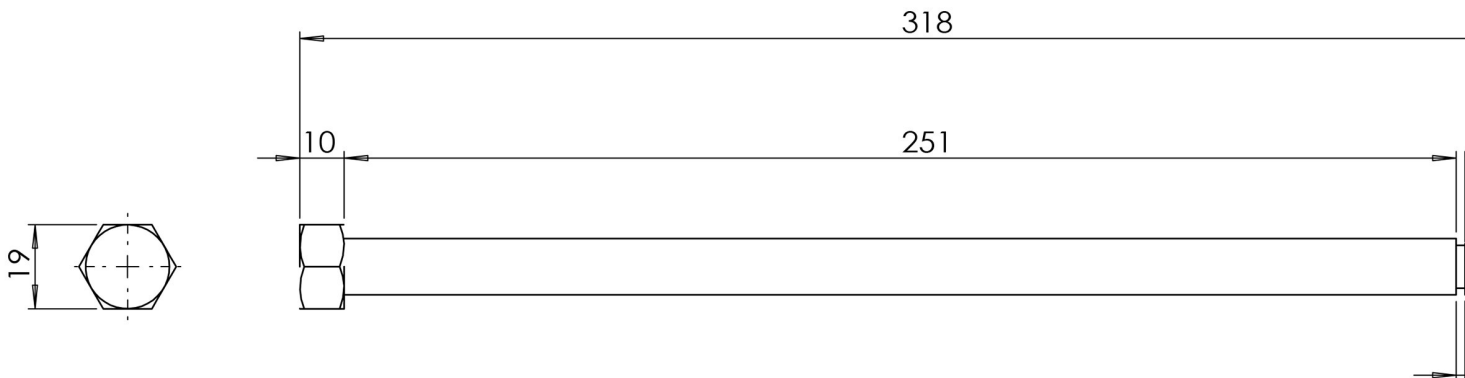
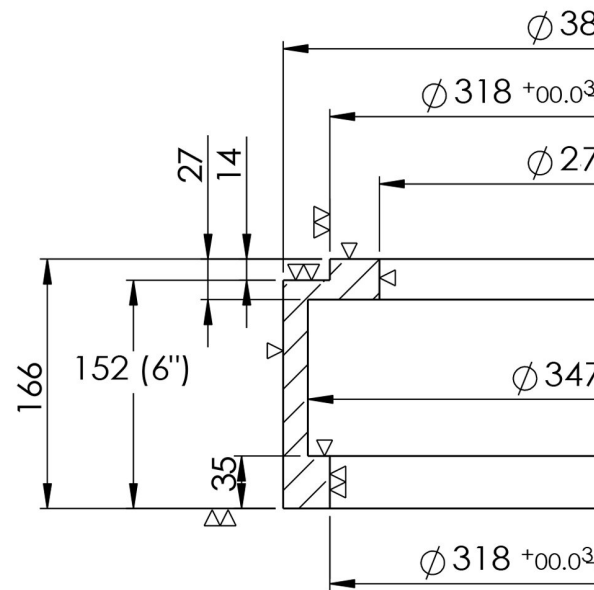
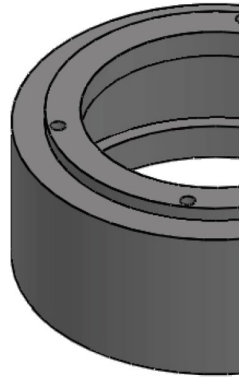
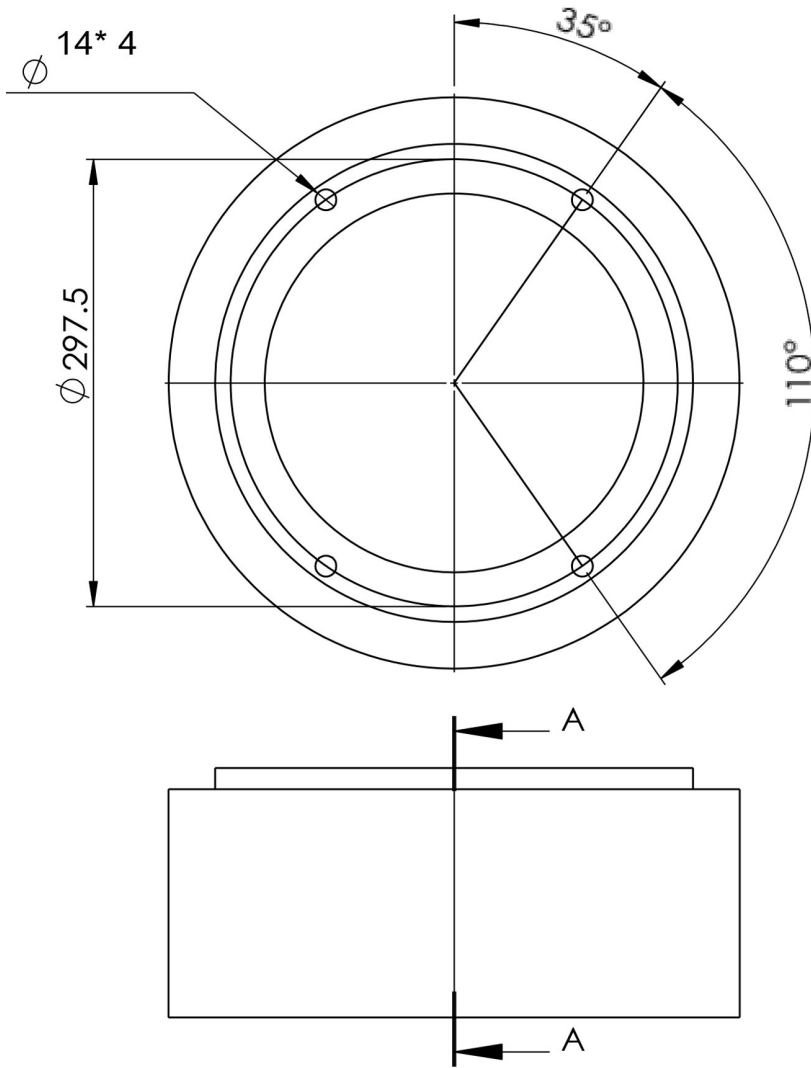
- BM-22A - (order code M593)
- BM-22AD - (order code M593D)
- BM-22 - (order code M594D)
- BM-23A - (order code M595D)
- BM-52VE - (order code M596D)
- BM-53VE - (order code M597D)
- BM-62VE - (order code M598D)
- BM-63VE - (order code M599D)

### Features

- 152mm spacer increases your milling machine Z-Axis height clearance
- Includes 4 x 318mm long bolts M12 x 1.75mm metric thread
- Please Note:
- This Riser Block Spacer may need a little machining to fit on some models

Product Brochure For M224

# M224



Product Brochure For M224

---

**Specific Features**



Shown Fitted To Milling Machine



Full View

**Recommended Accessories**

M597D

Industrial Turret Milling Machine

M599D

Industrial Turret Milling Machine

