

Product Brochure For M518

Face Mill 45° - Super High-Rake - F45SE12-D100

Ø100mm

Insert tip not included

On Sale

Ex GST	Inc GST
\$210.00	\$231.00
\$190.00	\$209.00



ORDER CODE:	M518
MODEL:	F45SE12-D100
Cutter Approach Angle (deg):	45°
D (mm):	100
D1 (mm):	114
H (mm):	50
d (lowercase):	32mm
Drawbar Thread:	-
Number of Inserts (No.):	6
Replacement Insert Tips:	(L065)
Nett Weight (kg):	1.85



Description

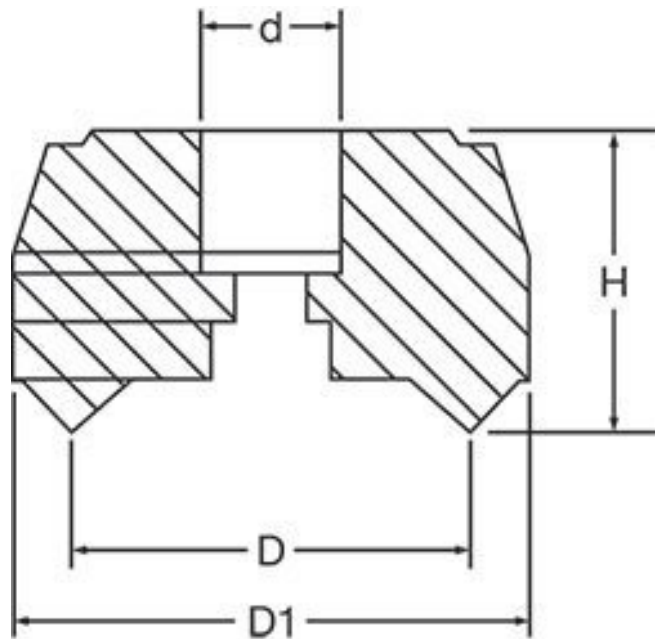
SUPER HIGH-RAKE FACE MILL - 100mm x 45°
 Use carbide inserts (ISO) SEKT1204 (L065)
 NOTE: Carbide Inserts not included

Features

- Suitable for low horsepower machines where rapid metal removal is required.
- Suitable for steel, cast iron and non-ferrous metals
- Positive rake

Includes

- Lock key for insert



Product Brochure For M518

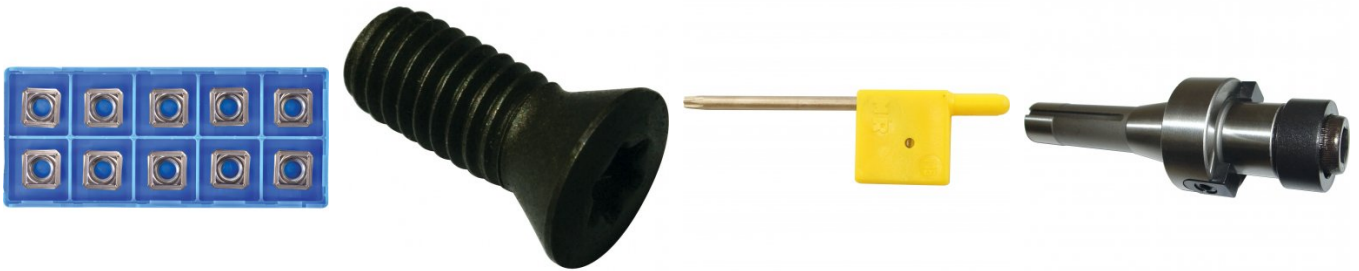
Recommended Accessories

L065
 KYOCERA Carbide Inserts -
 Milling

ML090
 Cutter Part - Screw

L538
 Key to Suit Tool Holder

M537
 Face Mill Arbor



M544
 Face Mill Arbor

M554
 Face Mill Arbor

T158
 BT40-FMB32-45 Face Mill Arbor

